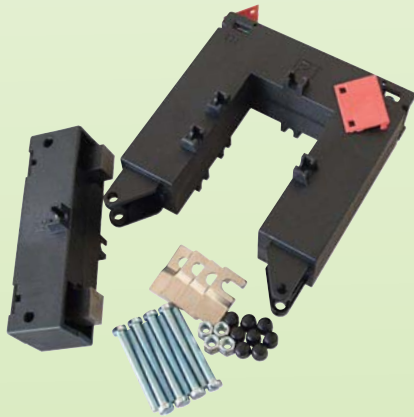


**Description**

A range of split core transformers designed for installation into existing plants where removal of busbars/cable lugs prevent installation of standard current transformers.

To measure a.c primary currents and produce a proportional secondary current signal.

NOTE: All CT's have hinged terminal covers and are supplied with push-in fixing feet and busbar fixing clamps.

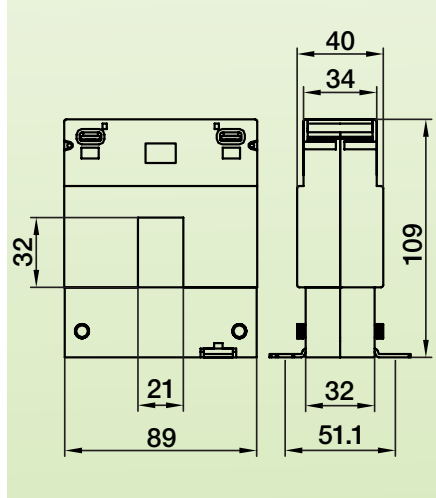


**DBP-23**



Busbar window : 20x30mm  
 Secondary terminals : M4 Screws  
 Built-in Terminal covers  
 Weight : 0.75Kg

**Dimensions**



**Current Transformer Ratios**

Primary current A	Burden DBP23		
	cl. 0-5 VA	cl. 1 VA	cl. 3 VA
100	-	-	1.5
150	-	-	2
200	-	1.5	2.5
250	-	2	4
300	1.5	4	6
400	2.5	6	10

1A or 5A secondary

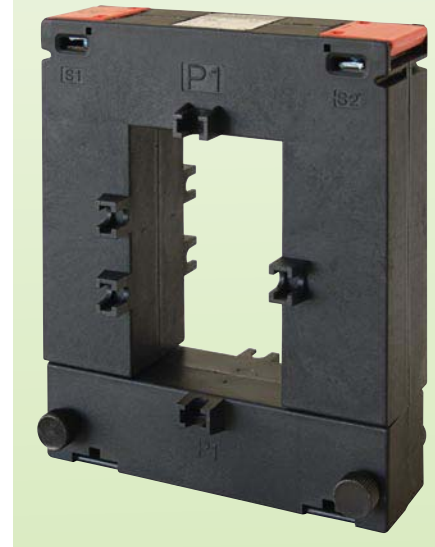
**How to Order / Model Reference**

Model   /

Primary Current  
 (see table above)

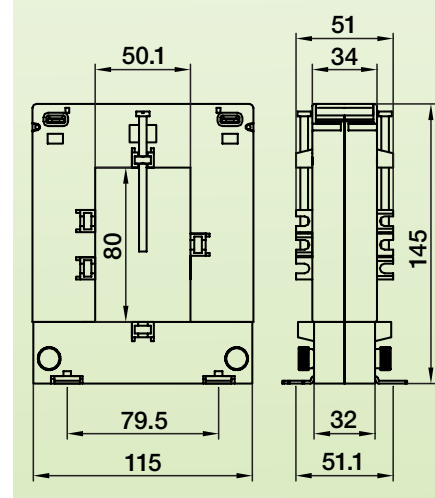
Secondary Current : 5A

**DBP-58**



Busbar window : 50x80mm  
 Secondary terminals : M4 Screws  
 Built-in Terminal covers  
 Weight : 0.90Kg

**Dimensions**



**Current Transformer Ratios**

Primary current A	Burden DBP23		
	cl. 0-5 VA	cl. 1 VA	cl. 3 VA
250	1	2	4
300	1.5	3	6
400	1.5	3	10
500	2.5	5	15
600	2.5	5	15
750	3	6	20
800	3	7.5	20
1000	5	10	20

1A or 5A secondary

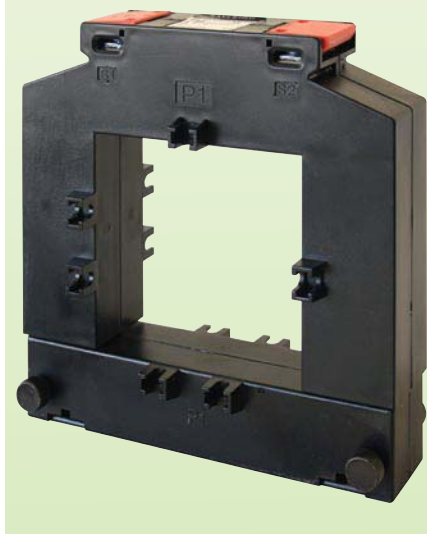
**How to Order / Model Reference**

Model   /

Primary Current  
 (See table above)

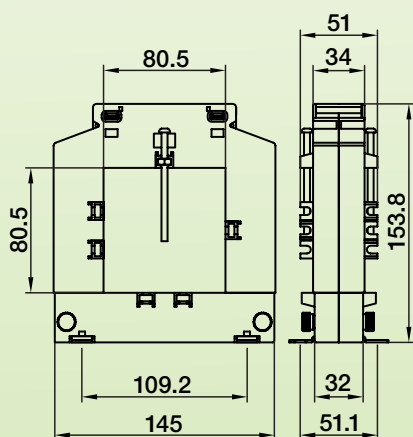
Secondary Current : 5A

**DBP-88**



Busbar window : 80x80mm  
 Secondary terminals : M4 Screws  
 Built-in Terminal covers  
 Weight : 1.05Kg

**Dimensions**



**Current Transformer Ratios**

Primary current	Burden DBP23		
	cl. 0-5 VA	cl. 1 VA	cl. 3 VA
250	1	2	4
300	1.5	3	6
400	1.5	3	10
500	2.5	5	15
600	2.5	5	15
750	3	6	20
800	3	7.5	20
1000	5	10	20

1A or 5A secondary

**How to Order / Model Reference**

Model   /

Primary Current  
 (See table above)

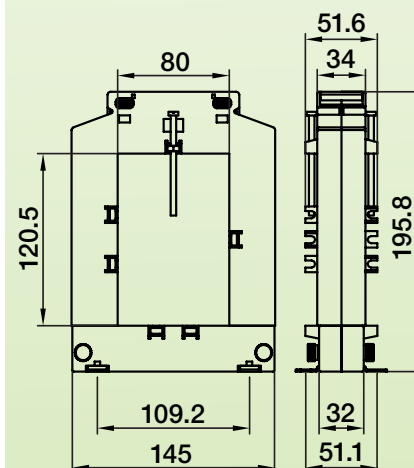
Secondary Current : 5A

**DBP-812**



Busbar window : 80x120mm  
 Secondary terminals : M5 Screws  
 Built-in Terminal covers  
 Weight : 1.25Kg

**Dimensions**



**Current Transformer Ratios**

Primary current	Burden DBP23		
	cl. 0-5 VA	cl. 1 VA	cl. 3 VA
500	-	4	12.5
600	-	5	15
750	2.5	6	17.5
800	3	7.5	20
1000	5	10	20
1200	6	12.5	25
1250	7.5	15	30
1500	8	17	30
1600	8	17	30

1A or 5A secondary

**How to Order / Model Reference**

Model   /

Primary Current  
 (See table above)

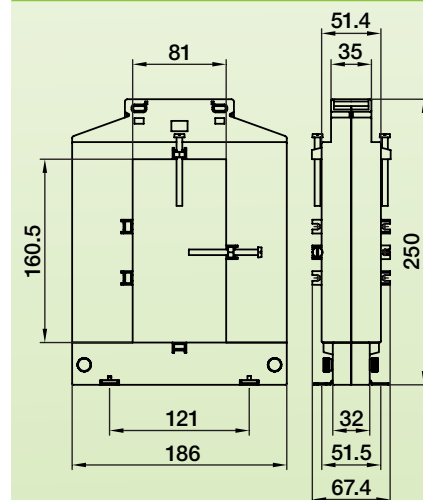
Secondary Current : 5A

**DBP-816**



Busbar window : 80x160mm  
 Secondary terminals : M5 Screws  
 Built-in Terminal covers  
 Weight : 3.50Kg

**Dimensions**



**Current Transformer Ratios**

Primary current	Burden DBP23		
	cl. 0-5 VA	cl. 1 VA	cl. 3 VA
1000	10	15	20
1500	15	20	25
1600	15	20	25
2000	15	20	25
2500	15	20	25
3000	20	25	30
4000	20	25	30
5000	20	25	30

1A or 5A secondary

**How to Order / Model Reference**

Model   /

Primary Current  
 (See table above)

Secondary Current : 5A