

VYDAS

INTERNATIONAL MARKETING

Specialist Sensors & Instruments for Industry



PXT SERIES PRESSURE TRANSMITTERS

Applications

- pneumatic control systems
- high temperature process control
- energy management

Features

- media temperatures up to 250⁰C
- 0.5% accuracy (0.25% option)
- 4 – 20mA, 0-20mA, 0-10V output signals
- available in gage and absolute pressure version
- high performance
- overpressure capability to 2 times maximum rated pressure
- all welded, stainless steel construction

The PXT series transmitters are fully temperature compensated, signal conditioned transmitters that provide a current (4 – 20mA, 0 –20mA) or voltage (0 –10V) outputs. The integrated circuit silicon sensors are housed in stainless steel isolated packages, which are designed for the measurement of hostile media in harsh environments. The stainless steel diaphragms and oil filled spaces separate silicon sensors from hostile media. A variety of devices are available from 0 to 1 Bar through 0 to 200 Bar.

Pressure ranges

Operating	Proof	Operating	Proof
0 – 1 Bar	2xFS	0 –20 Bar	2xFS
0 – 2 Bar		0 – 50 Bar	
0 – 5 Bar		0 – 100 Bar	
0 – 10 Bar		0 – 200 Bar	

Physical Specification

Media Compatibility

The PXT Series may be used with any fluid, vapour or gas that is compatible with 303ss and diaphragm material (316Lss).

Fluid Fill: Silicon oil

Materials of Construction

media wetted parts and sensor package:
303 stainless steel;
separating diaphragm: 316Lss,.

Environmental Protection

Mass IP65 ~1kg

Environmental Specifications

Temperature limits:

- storage: -30 – 100⁰C
- operating: -20 - 70⁰C
- compensated: 0 – 80⁰C
- media temperature: 0 –250⁰C

Humidity limits: 0 – 100% RH

Electrical Specifications

supply voltage: 15– 36VDC,
output signal: 4 –20mA,
0-20mA,
0-10V

Electrical connector

Terminal Block

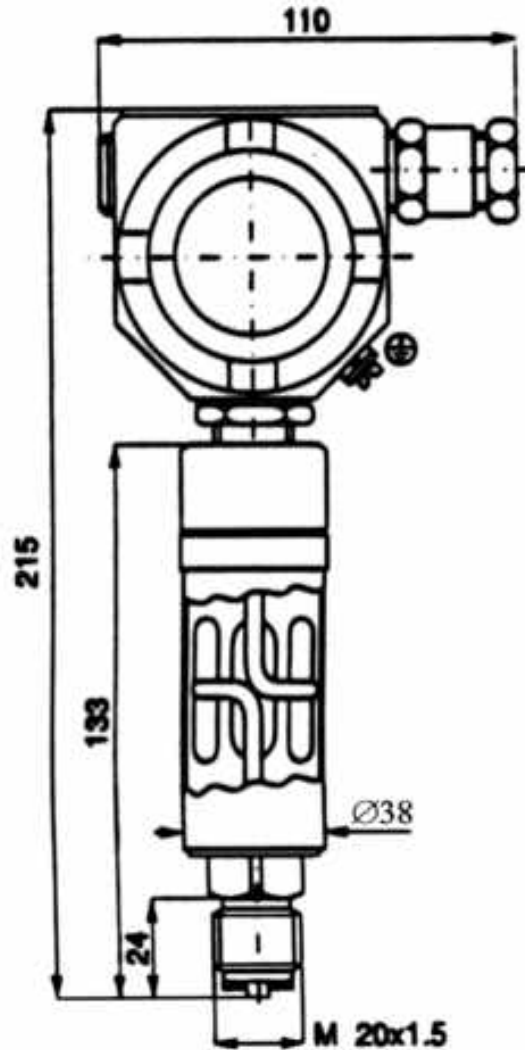
Performance specification

accuracy (linearity, hysteresis, repeatability): 0.5%FS
thermal accuracy of zero: 0.25%FS/10⁰C (typical.)
0.5%FS/10⁰C (max.);
thermal accuracy of range: 0.25%FS/10⁰C (typical);
zero and ratio moving ability ±10%;
load resistance: $R \leq \frac{U - 15V}{20mA} \times 10^3 [\Omega]$ for 4...20mA output
 $R > 2k\Omega$ for the 0...10V output

Media Connector

male M20x1.5, male G 3/4",
male G 1/2", other on special request.

Dimensions



PELIRON[®] Ltd



VYDAS INTERNATIONAL MARKETING
Swan House PBC Lynchborough Rd
Passfield Hampshire GU30 7SB UK

Tel: 44 (0)1428 751822 Fax: 44 (0)1428 751833

Email: info@vydas.co.uk Web: www.vydas.co.uk