

# VYDAS

**INTERNATIONAL MARKETING**

***Specialist Sensors & Instruments for Industry***



## **PANEL DIGITAL INDICATORS PWC SERIES**

### **DESCRIPTION**

Panel digital indicators of the PWC Series are suitable for measurements of standard voltage or current signals in industrial measurement systems. They operate with all transmitters with standard voltage or current signals proportional to measured values. The readout result can be displayed in any electrical or physical units.

### **FEATURES**

- Board version
- Simply in use
- Digital readout of measured values

### **CONSTRUCTION**

#### **BUDOWA**

All parts of the indicator are located inside the plastic housing able to the board assembling. The indicator consist of:

- the input divider/converter forming the voltage or current input signal,
- the voltmeter (A/D converter and display driver),
- the display (3.5 or 4.5 digit),
- the stabilized power supply and overvoltage protection.

This indicators are available in different versions according to the ordering code.

The electrical connection of the power supply and the input signal – by terminal strips (back-seat of tge indicator).

### **PRINCIPLE OF OPERATION**

The current input signal after forming and in the voltage converting goes to the voltmeter input.

The voltage input signal through the divider goes direct to voltmeter input. The power supply gives all needed voltages; also can to give the voltage to supply the other measurement instrument or the current loop.

---

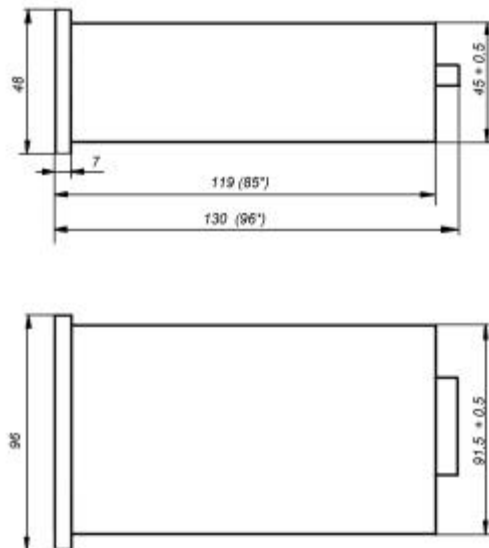
The continual development of our products causes a necessity of changes introduction which can not be published in this document

VYDAS INTERNATIONAL MARKETING Swan House Passfield Business Centre Lynchborough Road Passfield Hants GU30 7SB UK  
Telephone: 44 (0)1428 751822 Fax: 44 (0)1428 751833 Email: [info@vydas.co.uk](mailto:info@vydas.co.uk) Website: [www.vydas.co.uk](http://www.vydas.co.uk)

## TECHNICAL DATA

Power supply	220V / 50Hz, 4VA or 24V DC
Output power supply (option)	no stabilized 24V DC, 100mA load
Input	1, for standard input signals 0...10V, 0...5V, 0...20mA or 4...20mA
Digital display	3 ½digit or 4 ½digit, red LED 13mm height,
Readout range	any, according to the order
Maks. readout range	1999 for 3 ½digit version 19999 for 4 ½digit version
Units	any, according to the order
Overload indic	is lighting only the first „1" digit for 3 ½digit version display flashes for 4 ½digit version
Polarity sign	minus
Total error	≤ 0,3% ±1 digit for the 3 ½digit ≤ 0,1% ±1 digit for the 4 ½digit
Operating temperature	0...50°C
Relative humidity	≤ 90%
Housing protection	IP54
Weight	approx.. 0,35kG
Panel cutout	91,5x45mm
Max. board thickness	43mm

## DIMENSIONS:

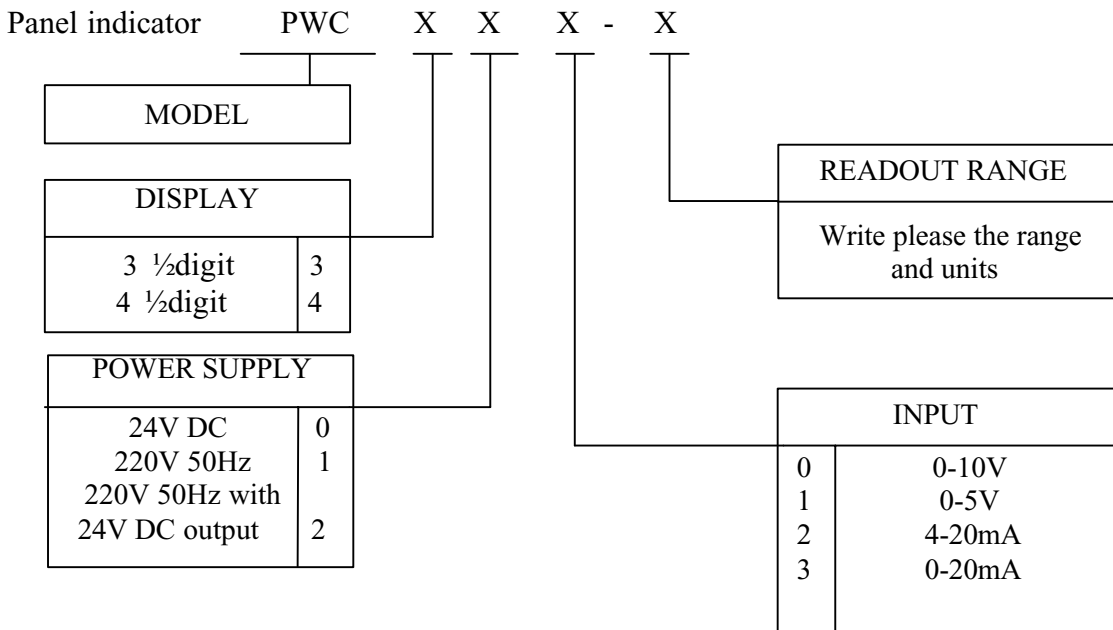


\* Dimensions in the brackets are concerning to 24VDC covered indicators

The continual development of our products causes a necessity of changes introduction which can not be published in this document

## ORDERING INFORMATION

Specify the model according to the ordering code:



### Ordering example:

#### PWC322-0-150 bar

PWC – Panel digital indicator

3 – 3 ½digit display

2 – With the 220V/50Hz power supply and the additional output 24VDC

2 – 4-20mA input

0-150bar – Readout range for 4-20mA correspondingly 0-150bar

### Notes

1. The indicators 220V/50Hz powered and having additional output 24V DC can to power supply of outer cooperating measurement instruments in 2 wire and 3 wire connection system.
2. The indicators are not having of accessible adjusting elements for the user and are calibrated according to the order.

The continual development of our products causes a necessity of changes introduction which can not be published in this document



**PELIRON**® Ltd



VYDAS INTERNATIONAL MARKETING  
Swan House PBC Lynchborough Rd  
Passfield Hampshire GU30 7SB UK

**Tel: 44 (0)1428 751822 Fax: 44 (0)1428 751833**

**Email: [info@vydas.co.uk](mailto:info@vydas.co.uk) Web: [www.vydas.co.uk](http://www.vydas.co.uk)**

