

# VYDAS

**INTERNATIONAL MARKETING**

***Specialist Sensors & Instruments for Industry***



## **TRANSFORMER LINEAR DISPLACEMENT TRANSMITTERS (LVDT) PSe SERIES**

### **APPROPRIATION**

Transformer linear displacement transmitters (LVDT) of the PSe series, provided with a return spring, can measure touching, without fixing of the core connecting rod. They can be used to measurements of:

- displacement and change of dimensions or deflections of heavy, giant constructions,
- wide changes of dilatation slits and a settlement irregularity of concrete blocks in hydroelectric plants.

### **CHARACTERIZATION**

- Captive spring return armature
- High stability
- Very high repeatability
- Housing protection IP67 (can works in the water)
- High mechanical durability

### **CONSTRUCTION**

The transmitter construction is based on the differential transformer placed in a cylindrical housing. The output signal depends from a movable magnetic core position inside the coil assembly. The return spring tightens the core connecting rod to the measured object. In the same housing is an electronic system converting the voltage signal from the differential transformer to the standard d current signal in a 3 wire system connection.

### **TECHNICAL DATA**

Measurement range	-5 mm and -10 mm
Power supply	24V DC - 10 %, 50mA
Output signal	4...20mA, option 0...20mA
Load resistance (R)	$R \leq 700 \Omega$
Nonlinearity	$\leq 0,5\%$
Operating temperature	- 30...+ 70°C
Temp. error	$\leq 0,02\%/1^\circ\text{C}$
Housing protection	IP67

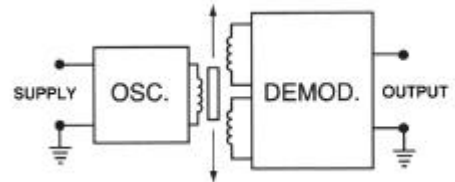
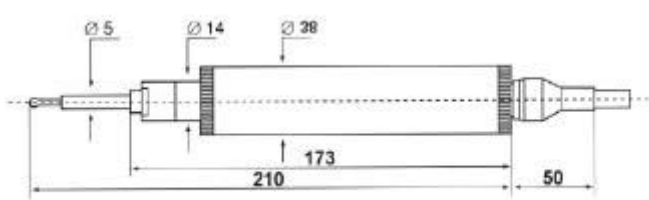
---

The continual development of our products causes a necessity of changes introduction which can not be published in this document

Electrical connection  
 Vibration tolerance  
 Shock survival  
 Weight  
 Housing material

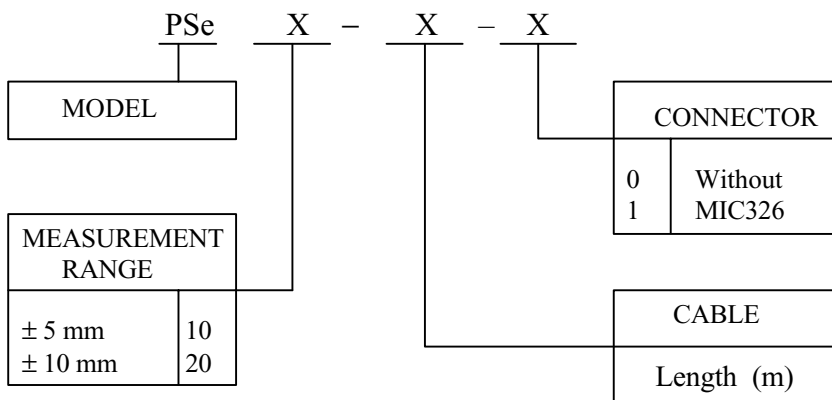
only cable or cable with MIC326 connector  
 20g up to 2kHz  
 100g, 11ms  
 about 580G  
 1H18N9T acid resistant steel, according to PN-86020  
 or AISI 304 series stainless steel

**DIMENSIONS AND CIRCUIT DIAGRAM**



**ORDERING INFORMATION**

Specify the model according to the ordering code:



**Ordering example:**

PSe20 – 3 – 0

- PSe – Linear displacement transmitter
- 20 – Measurement range ± 10mm
- 3 – 3m length cable
- 0 – No connector

**Notes:**

1. Standard version: 0.5m length of the cable, without connector.
2. In the special order is possible the construction and making of non typical transmitters.



**PELLIRON**® Ltd

**VYDAS** INTERNATIONAL MARKETING  
 Swan House PBC Lynchborough Rd  
 Passfield Hampshire GU30 7SB UK

Tel: 44 (0)1428 751822 Fax: 44 (0)1428 751833

Email: [info@vydas.co.uk](mailto:info@vydas.co.uk) Web: [www.vydas.co.uk](http://www.vydas.co.uk)