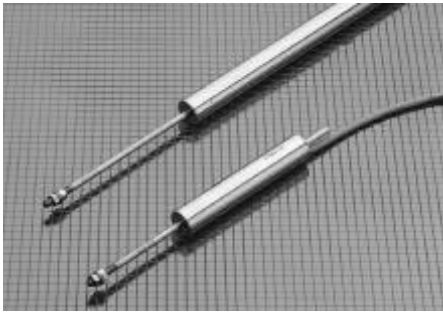


VYDAS

INTERNATIONAL MARKETING

Specialist Sensors & Instruments for Industry



PJx SERIES AC/AC LVDT-s 14 mm DIAMETER BODY 20 mm to 400 mm Ranges

APPLICATION

The PJx series, are AC/AC LVDT-s designed for displacement, length and thickness measurements in industrial, and R&D multi-channel data acquisition, or for use as feedback sensors in machining and process applications.

FEATURES

- Freedom movable magnetic core
- High stability and accuracy
- Very high repeatability and reliability
- High mechanical durability
- Resistant to weather

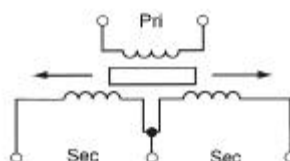
DESCRIPTION

The LVDT is a cylindrical electromechanical device consisting of one primary winding, two secondary windings and a moveable core . When the primary is powered and the core moved, the output from the secondaries is proportional to and in phase with the core movement.

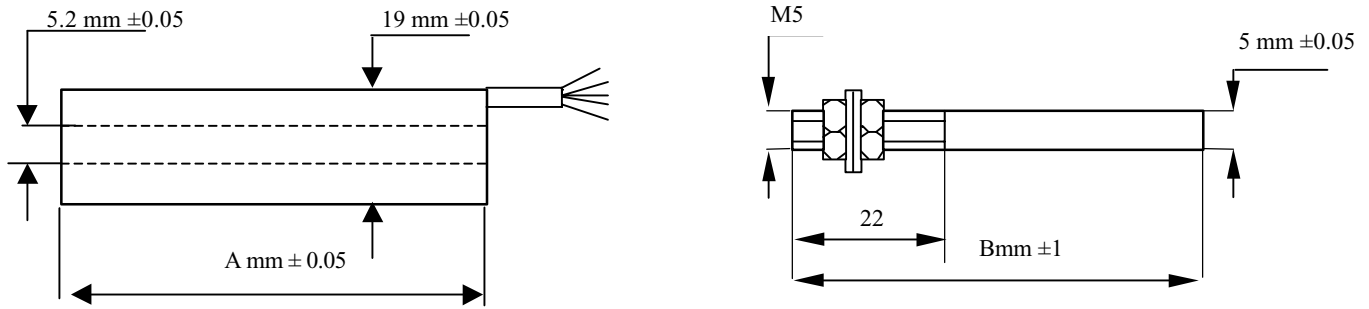
SPECIFICATIONS

Measurement Ranges	$\pm 10, \pm 15, \pm 25, \pm 50, \pm 100, \pm 150, \pm 200$ mm
Power Supply	2Vrms , 3 to 25mA, 5kHz
Output Signal	1V rms ± 10 %
Load Impedance	$\pm 51k \Omega$
Insulation Resistance	20M Ω
Nonlinearity	$\leq 0.5\%$, option $\leq 0.25\%$
Operating Temperature	-20°C to 80°C , option -20°C to 120°C
Temp. Error	$\leq 0,02\%/1^{\circ}\text{C}$
Electrical Connection	only cable or cable with KD51 connector
Vibration Tolerance	20g up to 2kHz
Shock Survival	100g, 11ms
Housing Material	1H18N9T acid resistant steel, as per PN-86020 or AISI 304 series stainless steel

CIRCUIT DIAGRAM



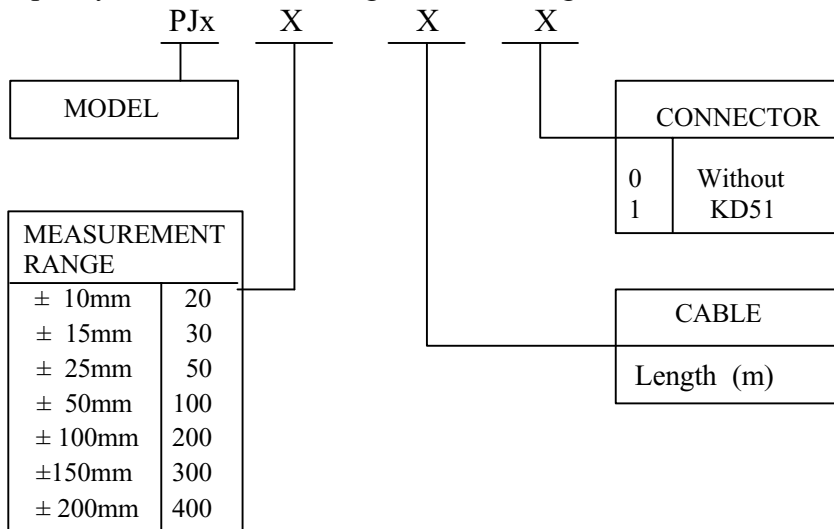
DIMENSIONS



PJx transducer	PJx20	PJx30	PJx50	PJx100	PJx200	PJx300	PJx400
Measurement range (mm)	±10	±15	±25	±50	±100	±150	±200
A (mm)	111	131	161	261	361	491	591
B (mm)	215	225	245	345	455	565	665

ORDERING INFORMATION

Specify the model according to the ordering code:



Ordering example:

PJx200 – 3 – 0

PJx – Linear displacement transducer

200 – Measurement range ± 100mm

3 – 3m length cable

0 – No connector

Notes:

1. Standard version: 0.5m length of cable
2. Measurement conditions: the load 51 kΩ, ambient temp. 20°C
3. In the special order is possible the construction and making of non typical transducers.



VYDAS INTERNATIONAL MARKETING
Swan House PBC Lynchborough Rd
Passfield Hampshire GU30 7SB UK

Tel: 44 (0)1428 751822 Fax: 44 (0)1428 751833
Email: info@vydas.co.uk Web: www.vydas.co.uk

PELLIRON® Ltd