

VYDAS

INTERNATIONAL MARKETING

Specialist Sensors & Instruments for Industry



PJs SERIES AC/AC LVDT-s FOR HIGH PRESSURE (350 BAR) HYDRAULIC APPLICATIONS 50 mm to 500 mm RANGES

APPLICATION

The PJs series are LVDT-s designed for applications of measurement in high pressure hydraulic cylinders (piston displacements).

CHARACTERISTICS

- Compact construction
- Can work in extremely difficult environmental conditions:
 - high pressure
 - wide range of operating temperature
 - a big mechanical risk
 - covering with dust
 - aggressive media
- High repeatability and reliability

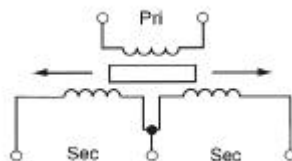
PRINCIPLE OF OPERATION

The LVDT is a cylindrical electromechanical device consisting of one primary winding, two secondary windings and a moveable core. When the primary is powered and the core moved, the output from the secondaries is proportional to and in phase with the core movement.

SPECIFICATIONS

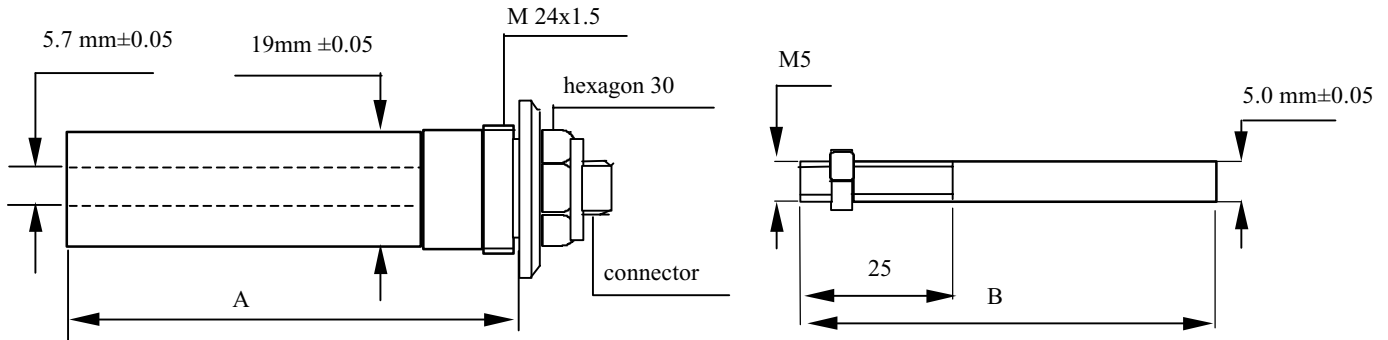
Measurement Ranges	±25, ±50, ±100, ±250 mm
Power Supply	2Vrms, 5kHz; option 1kHz
Output Signal	1Vrms ± 10 %; option 2V rms ± 10 %
Nonlinearity	≤ 0.5%; option ≤ 0.25%
Operating Temperature	-20°C to 120°C
Max. Operating Pressure	350 bar
Max. Rating Pressure	450 bar
Electrical Connection	18B7Sz1E2 connector
Vibration Tolerance	20g up to 2kHz
Shock Survival	100g, 11ms
Housing Material	1H18N9T acid resistant steel, as per PN-86020 or AISI 304 series stainless steel

CIRCUIT DIAGRAM



The continual development of our products causes a necessity of changes introduction which can not be published in this document

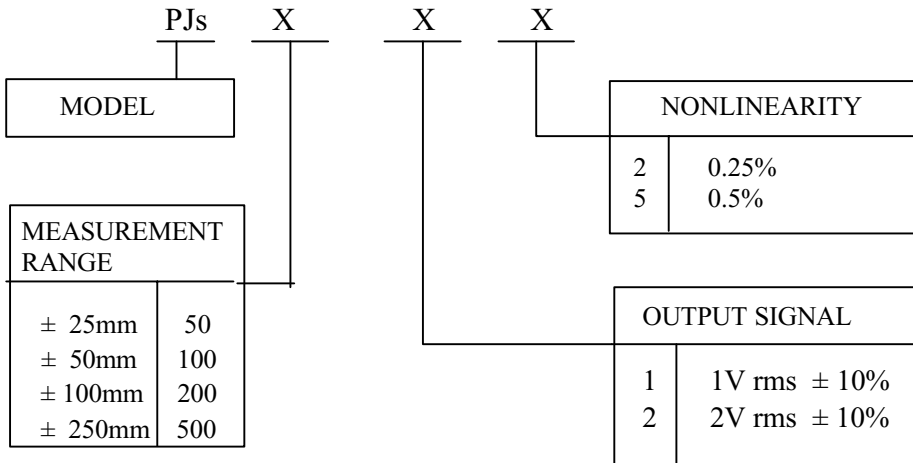
DIMENSIONS



PJs transducer	PJs50	PJs100	PJs200	PJs500
Measurement range (mm)	± 25	± 50	±100	±250
A (mm)	188	273	373	701
B (mm)	175	245	324	670

ORDERING INFORMATION

Specify the model according to the ordering code:



Ordering example:

PJs100 – 1 – 5

PJs – Linear displacement transducer

100 – Measurement range ± 50mm

1 – 1V rms output signal

5 – 0.5% nonlinearity

Notes:

1. Standard version: ±0.5% nonlinearity, 1V rms output signal
2. Measurement conditions: the load 51 kΩ, ambient temp. 20°C
3. In the special order is possible the construction and making of non typical transducers.

PELLIRON® Ltd



VYDAS INTERNATIONAL MARKETING
Swan House PBC Lynchborough Rd
Passfield Hampshire GU30 7SB UK

Tel: 44 (0)1428 751822 Fax: 44 (0)1428 751833

Email: info@vydas.co.uk Web: www.vydas.co.uk