

# VYDAS

**INTERNATIONAL MARKETING**

***Specialist Sensors & Instruments for Industry***



## **LINEAR DISPLACEMENTS METER MPL202**

### **APPLICATIONS**

The two-channel linear displacements meter MPL202 is suitable for displacement, orientation, deflection and thickness measurements of different constructions, control valves, machine elements, foundations, ceilings and bridges. As a measurement element one of the linear displacement transducers, such PTx, PJx, PSx, PLx from PELTRON can be used.

### **FEATURES**

- Industrial execution
- Simply in use
- Small dimensions and weight
- Digital readout of measured values
- Aesthetic housing

### **CONSTRUCTION**

All parts of the meter are placed inside the Al alloy housing consisting of two parts: the base and the cover. On the base of the housing is assembling an electronic circuit and digital indicator. In the cover is an indicator window having a contrast filter. Power, input and output cables comes out through glands. The meter consist of:

- two measurement units – each has the high stability oscillator, symmetrical amplifier, synchronic demodulator, low pass filter, U/I converter and the range switch giving the possibility of 3 times changing of the measurement range using only one LVDT;
- the digital indicator - having the integrated A/D converter and LED display;
- the power supply unit - having the stabilized power supply, adjusting elements, input and output terminal strips and the overvoltage protection;
- the housing.

The meter is available in different versions according to the ordering code.

### **PRINCIPLE OF OPERATION**

The high stability oscillator excites the LVDT. The LVDT output signal through the symmetrical amplifier, synchronic demodulator and low pass filter is coming to output amplifier and converter giving the standard current or voltage output signal.

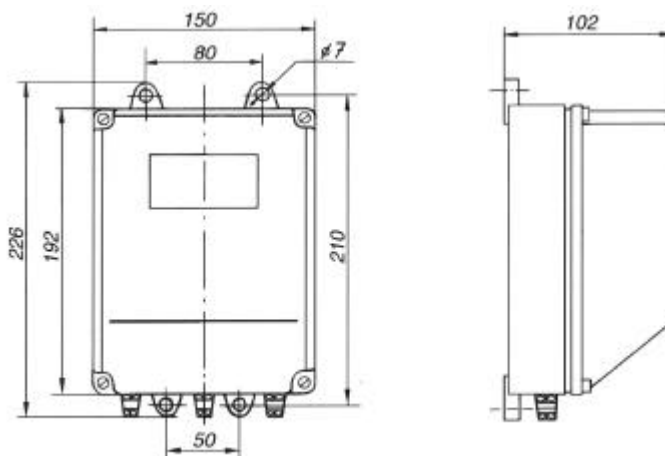
---

The continual development of our products causes a necessity of changes introduction which can not be published in this document

## TECHNICAL DATA

<b>Power supply:</b>	220V / 50Hz, 5VA or 24V DC
<b>Input:</b>	2, symmetrical
Input resistance	>100 kW
<b>Output:</b>	2
Output signal	0...20mA or 4...20mA , -5V or -10V, 0...5V or 0...10V
Load resistance (R)	≤700 Ω for current output, >2000Ω for voltage output
Range switch	20%, 50%,100% of max.. measurement range
<b>Digital indicator:</b>	
Kind of display	13 mm height, 3 ½ digit LED, option 10 mm height, 4 ½ digit LED
Max. readout range	1999 for 3 ½ version, 19999 for 4 ½ digit version
Units	mA, V, mm
Overload indic.	is lighting only the first „1" digit for 3 ½ digit version display flashes for 4 ½ digit version
Polarity sign	minus
Indication error	≤ 0,3% ±1 digit for the 3 ½ digit ≤ 0,1% ±1 digit for the 4 ½ digit
Basic error	≤ 0,1% of measurement range
Temp. error	≤ 0,01%/ °C
Measurement pass band	200Hz (3dB)
<b>Other parameters:</b>	
Operating temperature	0...50°C
Relative humidity	≤ 90%
Housing protection	IP65
Weight	approx.. 1,8kG

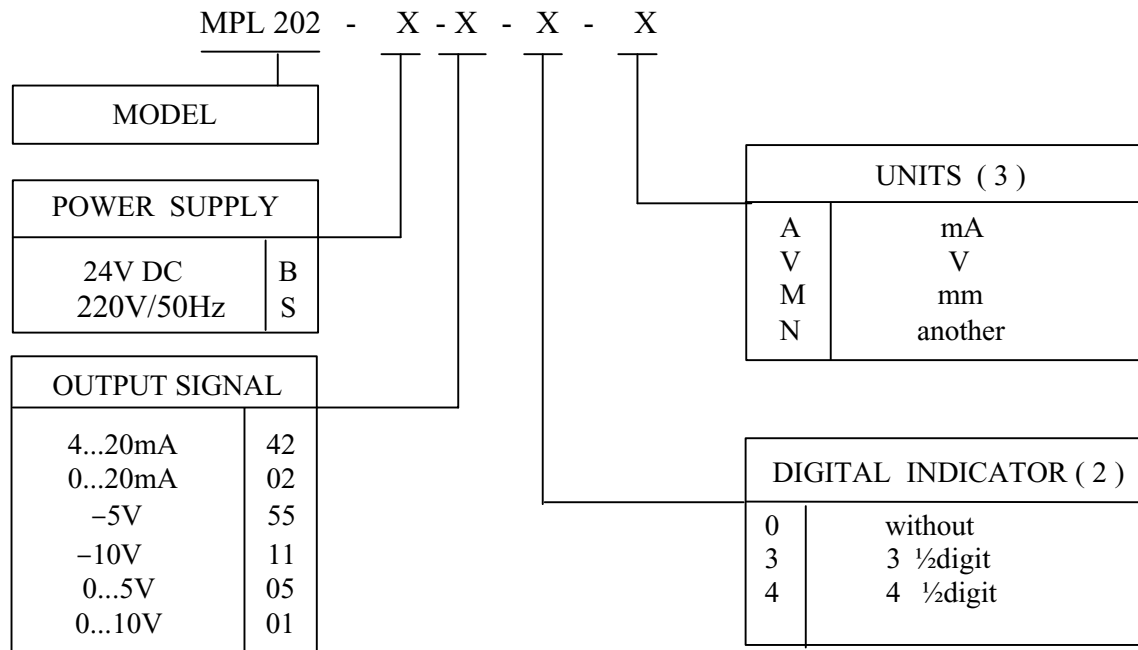
## DIMENSIONS:



The continual development of our products causes a necessity of changes introduction which can not be published in this document

## ORDERING INFORMATION

Specify the model according to the ordering code:  
Linear displacements meter



### Ordering example:

#### MPL202-S-42-3-A

MPL202 – the two-channel linear displacements meter

S – 220V/50Hz mains power supply

42 – 4...20mA output signal

3 – 3 ½digit digital indicator

A – units - mA

### Notes

1. Standard version: MPL202-S-42-0.
2. For 20% and 50% of the max. measurement range, (using of the range switch) , the display readout is correct, if the digital indicator is calibrated in units of the output signal.
3. Identical units for both channels
4. 24V power supply version – 3 wire or 4 wire connection system.



**PELIRON**® Ltd



VYDAS INTERNATIONAL MARKETING

Swan House PBC Lynchborough Rd

**VYDAS** Passfield Hampshire GU30 7SB UK

**Tel: 44 (0)1428 751822      Fax: 44 (0)1428 751833**

**Email: info@vydas.co.uk      Web: www.vydas.co.uk**