

VYDAS

INTERNATIONAL MARKETING

Specialist Sensors & Instruments for Industry



PRESSURE METER MPC201

APPROPRIATION

The single-channel pressure meter MPC201 is appropriated to liquids, vapours and gases pressure measurement and for the pressure liquid level measurement. As a measurement element can be used PT series piezoresistive pressure sensor or PLH liquid level probe of PELTRON (4). The wide assortment of sensors and level probes offered by producer gives the possibility of the pressure and level measurement in the range correspondingly $-1...400$ bar and $0.5...100$ m H₂O. The MPC201 meter supplies the pressure sensor and converts the received measurement signal in the standard current or voltage output signal. This meter can be also used for technological processes control.

CHARACTERIZATION

- Industrial execution
- Simply in use
- Relay outputs
- Digital readout of measured values
- Aesthetic housing

CONSTRUCTION

All parts of the meter are placed inside the Al alloy housing consisting of two parts: the base and the cover. On the base of the housing is assembling an electronic circuit and digital indicator. In the cover is an indicator window having a contrast filter. Power, input and output cables comes out through glands. The device has holders for a clamping to a wall or board. The meter consist of:

- the amplifier system
- the threshold system - the overload signaling of threshold values, control of external systems using 4 relays
- the overvoltage protection system
- the digital indicator
- the power supply unit
- the housing.

The meter is available in different versions according to the ordering code.

PRINCIPLE OF OPERATION

The amplifier system has a current source for pressure sensor supply. The sensor output signal is converting to the standard voltage or current output signal additionally controlling the threshold system.

The continual development of our products causes a necessity of changes introduction which can not be published in this document

VYDAS INTERNATIONAL MARKETING Swan House Passfield Business Centre Lynchborough Road Passfield Hants GU30 7SB UK
Telephone: 44 (0)1428 751822 Fax: 44 (0)1428 751833 Email: info@vydas.co.uk Website: www.vydas.co.uk

TECHNICAL DATA

Power supply: 220V / 50Hz, 5VA or 24V DC

Input:

Inputs quantity 1

Output:

Outputs quantity 1

Output signal 0...20mA or 4...20mA ,
0...5V or 0...10V

Load resistance (R) $\leq 500 \Omega$ for current output,

$> 2000 \Omega$ for voltage output

Control outputs (upper or lower threshold) 2A/250V AC, NO/NC, RM96

Digital indicator:

Kind of display 13 mm height, 3 ½ digit red LED,
option 10 mm height, 4 ½ digit red LED
Max. readout range 1999 for 3 ½ version, 19999 for 4 ½ digit version
Units bar, mH₂O, mA, other
Overload indic. is lighting only the first „1" digit for 3 ½ digit version
display flashes for 4 ½ digit version

Polarity sign minus

Indication error $\leq 0,3\% \pm 1$ digit for the 3 ½ digit

$\leq 0,1\% \pm 1$ digit for the 4 ½ digit

Other parameters:

Basic error $\leq 0,1\%$ of measurement range

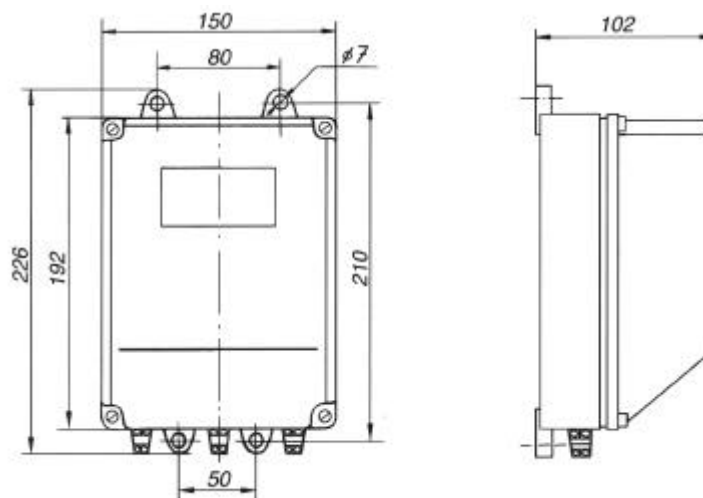
Operating temperature 0...+60°C; option -20°C...+80°C

Relative humidity 20... 90%

Housing protection IP65

Weight approx.. 1,5kG

DIMENSIONS:



The continual development of our products causes a necessity of changes introduction which can not be published in this document

