

VYDAS

INTERNATIONAL MARKETING

Specialist Sensors & Instruments for Industry



PRESSURE METER MPC101

APPROPRIATION

The single-channel pressure meter MPC101 is appropriated to liquids, vapours and gases pressure measurement and to liquid level measurement. As a measurement element can be used piezoresistive pressure sensors (also pressure difference) or liquid level probes of PELTRON .

CHARACTERIZATION

- Industrial execution
- Very simply in use
- Aesthetic and tight housing
- Small dimensions and weight

CONSTRUCTION

All parts of the meter are placed inside the Al alloy housing consisting of two parts: the base and the cover. On the base of the housing is assembling an electronic circuit and digital indicator (if exist). In the cover is an indicator window (if needed) having a contrast filter. Power, input and output cables comes out through glands. The device has holders for a clamping to a wall or board. The meter (standard version) consist of:

- the measurement unit
- the power supply unit

The meter is available in different versions according to the ordering code.

PRINCIPLE OF OPERATION

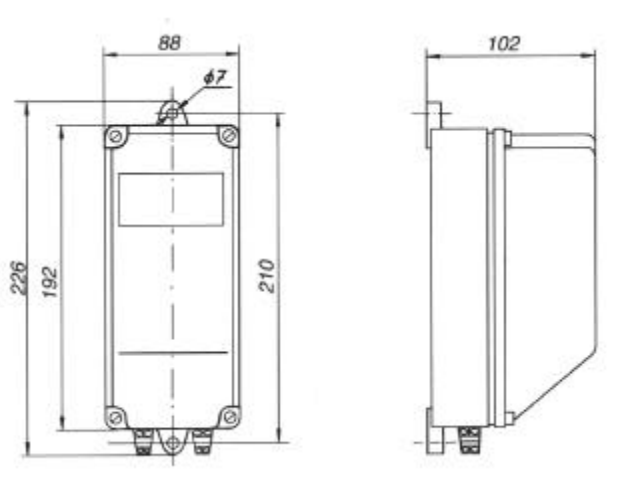
The measurement unit has a current source for pressure sensor supply. The sensor output signal is converting to the standard voltage or current output signal.

The continual development of our products causes a necessity of changes introduction which can not be published in this document

TECHNICAL DATA

Power supply:	15...36V DC; option 220V / 50Hz, 3VA
Input:	
Inputs quantity	1
Input resistance	>2M Ω
Output:	
Outputs quantity	1
Output signal	0...20mA or 4...20mA , 0...5V or 0...10V
Load resistance (R)	$\leq 500 \Omega$ for current output, >2000 Ω for voltage output
Range switch (option)	25%, 50%, 75% and 100% of max. measurement range
Digital indicator:	
Kind of display	13 mm height, 3 ½ digit LED, option 10 mm height, 4 ½ digit LED
Max. readout range	1999 for 3 ½ version, 19999 for 4 ½ digit version
Units	bar, MPa, mH ₂ O, mA, other
Overload indic.	is lighting only the first „1" digit for 3 ½ digit version display flashes for 4 ½ digit version
Polarity sign	minus
Indication error	$\leq 0,3\% \pm 1$ digit for the 3 ½ digit $\leq 0,1\% \pm 1$ digit for the 4 ½ digit
Other parameters:	
Basic error	$\leq 0,1\%$ of measurement range
Temp. error	$\leq 0,01\%/ ^\circ\text{C}$
Operating temperature	0...+60 $^\circ\text{C}$; option -20 $^\circ\text{C}$...+80 $^\circ\text{C}$
Relative humidity	< 90%
Housing protection	IP65
Weight	approx.. 1,5kG
2 wire system	only for 4...20mA output signal, 24V DC power supply, without of readout indicator; others - 3 wire system

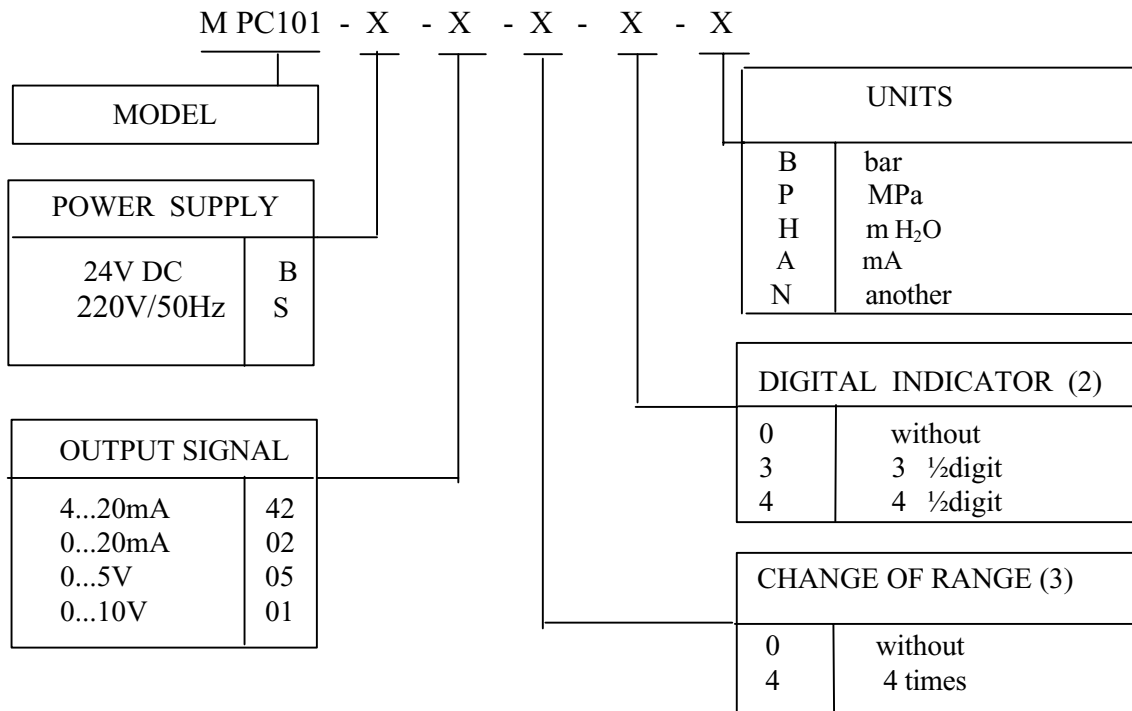
DIMENSIONS:



The continual development of our products causes a necessity of changes introduction which can not be published in this document

ORDERING INFORMATION

Specify the model according to the ordering code:
Pressure meter



Ordering example:

MPC101-S-42-0-3-B

MPC101 – single-channel pressure meter
 S – 220V/50Hz mains power supply
 42 – 4...20mA output signal
 0 – without change of the range
 3 – 3 ½digit digital indicator
 B – units - bar

Notes:

1. The standard version: MPC101-B-42-0-0.
2. Only for the 220V 50Hz power supply.
3. Only for the version without digital display.
4. All values are given for NTP conditions and 24V ± 0.5V DC power supply.
5. Error values are related to the full range.



VYDAS INTERNATIONAL MARKETING
 Swan House PBC Lynchborough Rd
 Passfield Hampshire GU30 7SB UK

Tel: 44 (0)1428 751822 Fax: 44 (0)1428 751833
 Email: info@vydas.co.uk Web: www.vydas.co.uk

PELLIRON® Ltd