

VYDAS

INTERNATIONAL MARKETING

Specialist Sensors & Instruments for Industry

UNIVERSAL POWER CELLS



GIVES YOU VALUABLE INFORMATION ABOUT MACHINE AND PROCESS PERFORMANCE BY MONITORING MOTOR LOAD

- Mixture Viscosity
- Tool Condition
- Optimum Feed Rate
- Pump or Fan Flow
- Beginning or End Process
- Obstructions
- Overloads
- Loss of Load

THE UNIVERSAL POWER CELL SENSES TRUE MOTOR POWER—THREE PHASE, VARIABLE FREQUENCY, SINGLE PHASE OR DC

MODEL UPC

FULLY SELF CONTAINED

- Easy to install
- No Current Transformers
- No Voltage Transformers

COMPACT

- Only 1 3/4" x 5 3/8" x 8"

YOU CAN ADJUST FULL SCALE TO MATCH YOUR MOTOR

- Coarse and Fine Adjustment Pots
- 5HP to 150HP
- Take extra turns for small motors

VERSATILE

- Works on both Fixed and Variable Frequency Power
- ALSO Single Phase & DC

THREE BALANCED HALL EFFECT SENSORS

SAMPLE VOLTAGE DIRECTLY

- Up to 600 Volts

BUILT-IN POWER SUPPLY

- Powers the Analog Signals

BUILT-IN RESPONSE ADJUSTMENT

- Lets you slow the response of the Power Cell to average the readings

TWO ANALOG OUTPUTS

- 4-20 MA
- 0-10 Volts DC
- Electrically isolated

SUITABLE FOR INVERTER OUTPUTS
Immediate Shipment

SPECIAL PURPOSE UNIVERSAL POWER CELLS



UPC-E Ethernet Universal Power Cell **EMBEDDED WEB SERVER**

- View with your browser

WITH YOUR BROWSER

- Set full scale horsepower
- Set response time to average the load for a smooth signal
- Choose how often to receive data
- Or, respond to UDP or HTTP request

TCP/IP AND UDP PROTOCOL

10 BASE T 10 MEGABIT ETHERNET CONNECTION

ALSO 10 VOLT DC ANALOG OUTPUT

- Local display
- Troubleshooting

CHANGE SETTING ON THE FLY

- During a machine or process cycle
- Either UDP or HTTP
- Full scale 4HP to 125HP

UPC-KWH Energy Measuring Universal Power Cell

- Accumulates Kilowatt Hours, Kilowatt Minutes, Kilowatt Seconds
- Accumulates total power into the mixing process for consistent batches.
- Accumulates power—indicative of throughput.

Field Scaleable - 3 to 100 KW

Pulse - Dry contact

Analog Output - 0-10 Volts

The UPC-KWH measures true power (KW) and momentarily pulses a relay contact every KWH, KWM, or KWS which is selectable. The pulse can signal a computer, meter or counter for power totalizing. An analog 0-10 Volt output reflects the instantaneous power and can input a meter or computer directly.

UPC-FR Fast Response Universal Power Cell

- 0.050 Second Response Time
- Ideal for Machine Tool Monitoring
- Also used together with "V" Series Load Controls

UPC-230 230 Volt Power Supply Input



Vydas International Marketing
Swan House PBC Lynchborough Rd
Passfield Hampshire GU30 7SB UK

Tel: 44(0)1428 751822 Fax: 44(0)1428 751833
Email: info@vydas.co.uk Web: www.vydas.co.uk

TYPICAL INSTALLATION-UPC

The Universal Power Cell is a Motor Load Sensor that monitors power (HP or KW). It works on both fixed and variable frequency power and has two analog outputs. It also works on single phase, DC, and brushless DC. The Universal Power Cell has Three Balanced Hall Effect Sensors, each with a flux concentrator. Each phase passes through a window. A voltage sample for each phase is also taken. The Hall Effect Semiconductor does a vector multiplication of the current flow and voltage which also calculates the power factor. The output is proportional to power (HP or KW).

INPUT CONNECTIONS

Pass each of the phases through the L1, L2, L3 holes in the Cell. Be certain direction is correct. The Terminal side of the Cell faces the supply. Provide voltage sample for each phase. When a Variable Frequency Drive is being used, locate the Power Cell on the output side of the drive. Take the voltage samples on the output side also.

- L1 Volts to Terminal 7
- L2 Volts to Terminal 8
- L3 Volts to Terminal 9

ANALOG OUTPUTS

The Analog Output is powered by the Power Cell.

- | | |
|---------------|------------|
| 4-20 Milliamp | Terminal 1 |
| 0-10 Volts DC | Terminal 3 |
| Analog Common | Terminal 2 |

120 VOLT SUPPLY

Terminals 5 and 6

GROUND

Terminal 4

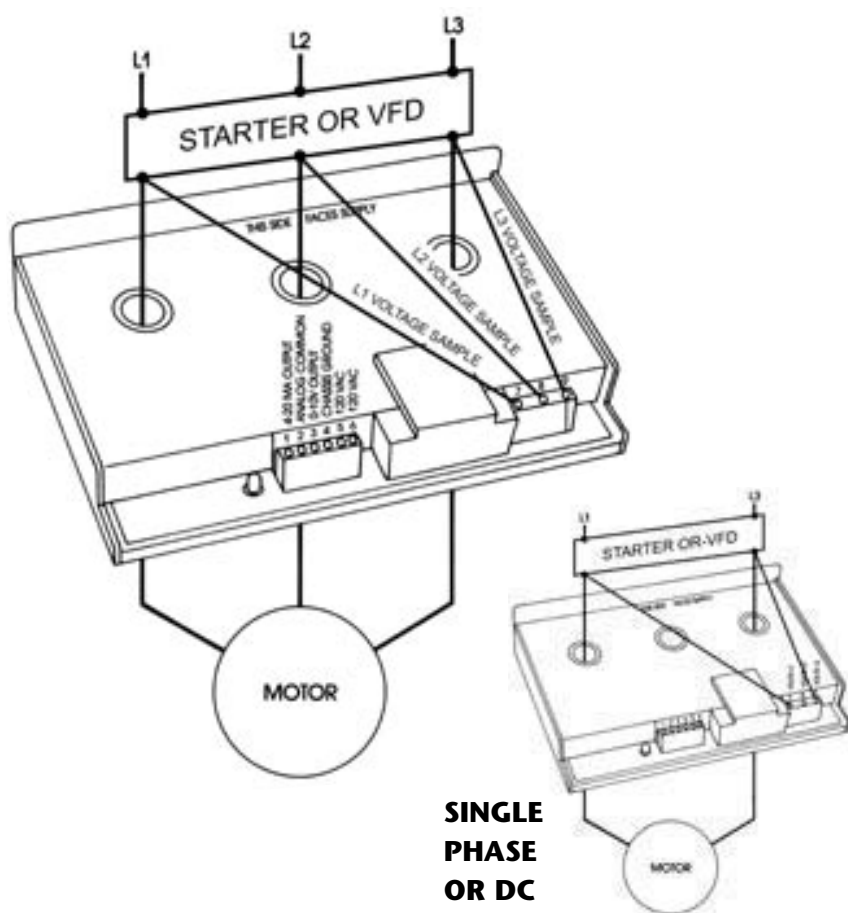
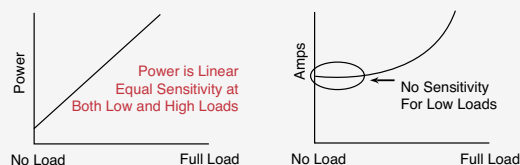
TO ADJUST FULL SCALE

The Full Scale can be adjusted to match your motor with the Coarse and Fine Pots located under the Access Cover. Put your Ohm meter on the test points.

Convenient Scaling

- 5K Ohm = 5HP (This is the minimum setting)
- 10K Ohm = 10HP
- Etc.
- 150K Ohm = 150HP (This is the maximum setting)
- (KW=HP x .746)

WHY MONITOR POWER INSTEAD OF JUST AMPS?



FOR SMALL MOTORS

Reduce the capacity by taking additional "Turns" through each hole for each phase (Mount the Power Cell on Standoffs). Example: 5HP Full Scale is reduced to 1HP with 5 Turns.

RESPONSE ADJUSTMENT

In some cases, the average power signal may be more useful than instantaneous power. The Response Adjustment slows the response of the Universal Power Cell. Pot is located under Access Cover. Clockwise is fastest.



Vydas International Marketing
Swan House PBC Lynchborough Rd
Passfield Hampshire GU30 7SB UK

Tel: 44(0)1428 751822 Fax: 44(0)1428 751833
Email: info@vydas.co.uk Web: www.vydas.co.uk

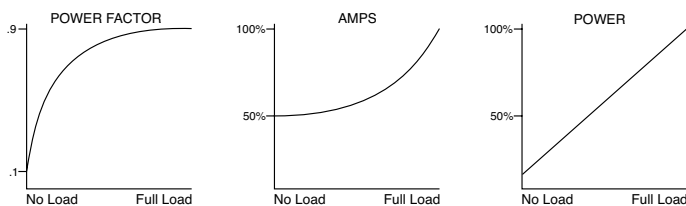
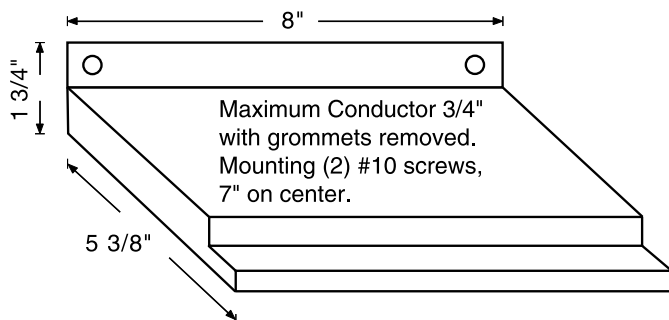
SPECIFICATIONS

MODEL	UPC	UPC-E	UPC-KWH	UPC-FR	UPC-230
ACCURACY	.5% Full Scale	*	*	*	*
FULL SCALE CAPACITY	5HP** to 150HP	4HP** to 125HP	3 KW** to 100 KW	*	*
OUTPUTS	<ul style="list-style-type: none"> • 4-20 Milliamp, 500 Ohm Max Connected Impedance • 0-10 Volts DC 2000 Ohm Minimum Load 	<ul style="list-style-type: none"> • Ethernet 10 Base T • 10 Megabit • 0-10 Volts DC 	<ul style="list-style-type: none"> • Relay: 30 Volts, 5 Milliamp max, 50 MS duration pulse • 0-10 Volts DC 	*	*
RESPONSE ADJUSTABLE	• .5 Sec. to 12 Sec.	.050 Sec. to 16 Sec.	KWH, KWM, KWS	.050 Sec to 1.2 Sec.	*
FREQUENCY	3HZ to 1KHZ	*	*	*	*
POWER CONSUMPTION	6 VA @ 120 Volts	*	*	*	3 VA @ 230 Volts

*Specifications same as UPC unless noted

**For smaller motors take extra "turns"

DIMENSIONS



The Power Cell Uses Balanced Hall Effect Sensors

- Sensitive at low and high frequencies
- Fast Response
- Linear output
- Senses distorted waveforms
- Noise immune
- Accuracy is improved by eliminating the large phase shift errors from the CTs and PCs at low power factors

Balanced Hall Effect sensors are used to measure power with odd shapes and frequencies (like on a Variable Frequency Drive). A Hall Effect sensor has these two characteristics:

- It senses a magnetic field which is proportional to the current flowing through the conductor.
- The Hall Effect semiconductor can multiply two signals. Each Hall Effect Sensor is powered by the signal that comes from the voltage sample for that phase. The Hall device multiplies these voltage and current signals.

This is a vector multiplication which also calculates the lag of the current (power factor). The resulting output is then proportional to power (Volts x Amps x Power Factor).



Vydas International Marketing
Swan House PBC Lynchborough Rd
Passfield Hampshire GU30 7SB UK

Tel: 44(0)1428 751822 Fax: 44(0)1428 751833
Email: info@vydas.co.uk Web: www.vydas.co.uk