

## eZtrend® QXe

## Specification

43-TV-03-12

X SERIES - ADVANCED GRAPHIC RECORDER

September 2007



### Crystal Clear Display

- 5" Digital Colour LCD (TFT)
- QVGA Resolution (320 x 240 pixels)
- Clear and intuitive operation
- Industrial rugged Touch Screen with rapid navigation

### Comprehensive Connectivity

- 10/100 Ethernet (DHCP), OPC Server Web and E-mail
- FTP and TCP/IP
- Modbus Master and Slave (option)
- RS485 Modbus Protocol (option)
- Front USB port as standard for keyboard and mouse. Rear USB option.

### Data Storage

- On-board non-volatile memory - up to 400MB
- Removable USB storage
- No moving parts - all solid state Flash memory

### Security Stringent - Total Data integrity

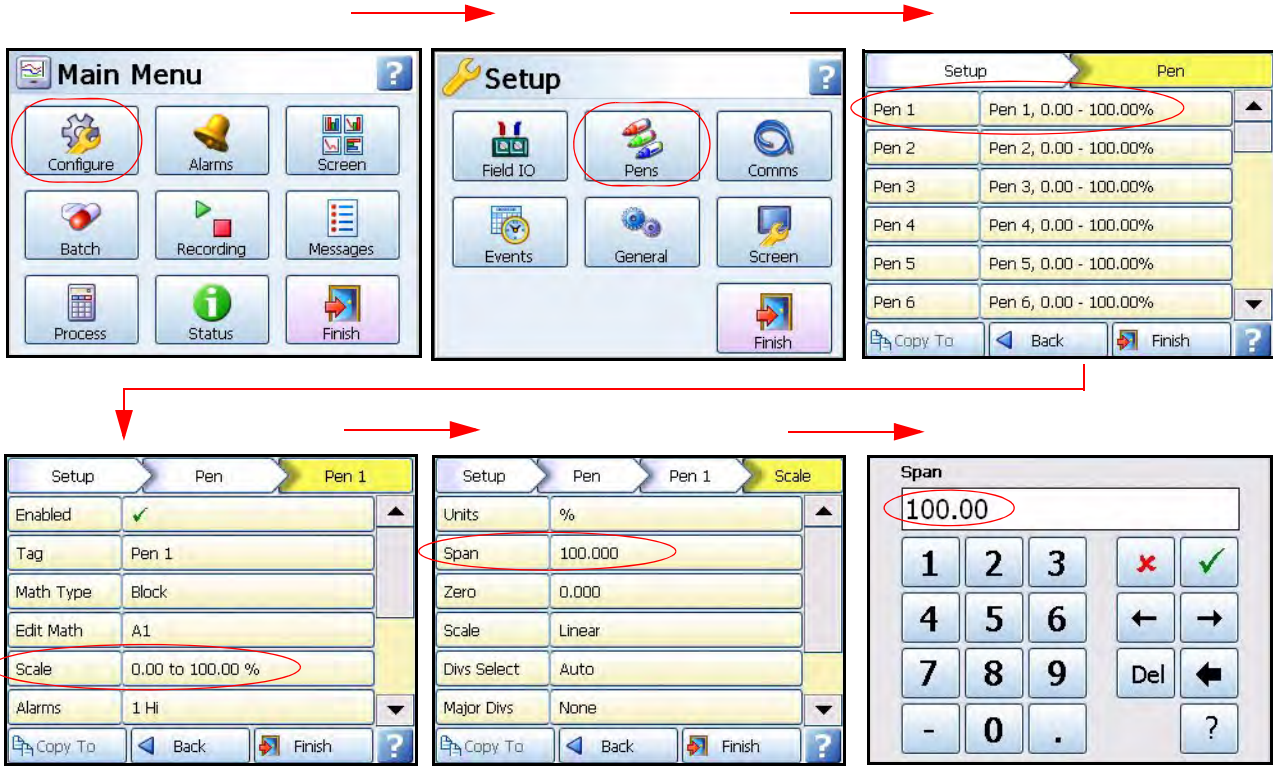
- Password Protection - 21CFR Part 11
- ESS - Extended Security System
- Password Network Synchronisation

### Plus..

- Health Watch for preventative maintenance
- Remote Access - Advanced Software Data Analysis at your PC and Remote Viewing
- Independent Chart and Logging speeds
- Global Language Support
- Rapid review and replay of data at recorder
- Approvals - CE, CSA, UL & NEMA 4X/IP66 (option)
- Up to 10Hz (100 msec) Logging (including expansion card option)
- Up to 12 Analogue Inputs
- 4 Pulse Inputs via the Digital I/O card (option)
- Reports - System generated
- Concurrent Batch mode

# Recorder Function

- Honeywell's eZtrend QXe recorder provides flexible electronic data acquisition and recording in a DIN standard 144mm format recorder.
- Up to 12 Analogue inputs with at least 70MB standard on-board memory plus additional removable storage media.
- The eZtrend QXe uses a digital colour TFT LCD screen to provide easy to read displays with wide viewing angles for the best all around data viewing.
- The touch screen operator interface provides fast, easy access to the recorder menus making set up and data analysis quick and efficient. Navigation through the menus and text entry are direct and intuitive.



Example of a recorder menu path from the Main Menu to Pen Scale configuration with clear and rapid navigation

## Features

### Display

- **5" Colour Active TFT** - with more than 256,000 colours makes it easy to interpret process data and take action with the intuitive bar charts, digital values or trends displays. A screen saver function can be set from 1 to 720 minutes to extend the life of the backlight.
- **Touch Screen** - the heavy duty durable touch screen provides easy data entry and rapid navigation though the menus.
- **Help Files** - A complete contextual help system can be accessed and visualised on the screen of the recorder.

### Communications

- **Ethernet Connectivity** - the Ethernet (DHCP standard) connection, with support for various protocols, provides unlimited connectivity to local area networks (LANs). The standard Ethernet interface makes networking of the recorder to a LAN or the world wide web fast and convenient. Dynamic Host Configuration Protocol (DHCP) automatically acquires the settings (IP address) for network communications from a DHCP server.
- **Simple Network Time Protocol (SNTP)** - The recorder can be synchronised over the ethernet network via a SNTP client or synchronise other recorders via a Server.
- **Web Server** - with the recorder connected to a LAN, all process variables, alarm and messages can be viewed from an internet browser; values are automatically refreshed.

## Data Storage

**Internal Data Storage** - 70MB to 400MB of expandable internal non-volatile flash memory is available for data storage and chart history.

| Example: Internal memory / Logging rate = 1 sec |        |       |
|---|--------|-------|
| Pens  | 70MB   | 400MB |
| 6   | 32days | 182d  |
| 12  | 16d    | 91d   |
| 24  | 8d     | 45d   |

**Data Export** - Removable USB flash storage device. Data is stored in a secure binary encrypted format, with the recorder's configurations, providing added security of the data files.

Removable USB flash storage devices



## External USB Devices

- The recorder has two USB host ports, one at the front (standard) and one at the rear available on the Communications card (option). This is for attaching external USB devices such as a keyboard, mouse or a USB data storage key. The keyboard and mouse can be used to navigate the recorder's screen and enter text.

## Remote Viewer

- Extends the user interface of the recorder onto the desktop PC. Providing remote viewing of the unit launched from a web browser. Full remote control is available as an option. Compatible with Microsoft™ Internet explorer 6 and higher.

## Security

- Total Data Integrity** - data is stored in secure encrypted files making it easy to retrieve the data dependent on process information. Data is automatically recognised without having to remember file names.
- Password Protection** - Up to 4 levels of password protection with up to 50 different users are available. Multiple levels of password protection and an audit trail of actions enhance the security of the data.
- Extended Security System (option)** - ESS provides extended features including entry of unique User ID's and associated passwords, time-out of password entry, password expiration, and traceability of user actions. ESS is compatible with the requirements of 21CFR part 11.
- Password Network Synchronisation** - Password can be synchronised over the network, a recorder can be designated as a master of a password group and other recorders can be added to that group as slaves, the master will ensure all passwords are synchronised with all recorders in it's group.

## Modbus Master/Slave

- The recorder can communicate with up to 32 slave devices on both RS485 and/or Ethernet at a maximum poll rate of 1 second (slowest 1 hour), with each slave up to 8 "transactions" can be performed where a transaction can be retrieving 1 or more registers from a slave or sending one or more Pens to a slave.

## Reports

- Reports can be generated manually or on a periodical basis using event system to show daily/weekly/monthly totals, max mins, averages etc., the reports can be printed, e-mailed as attachments or exported to external media. The reports will be in RTF format for use in MS Word or other compatible word processors.

## Events/Counters (option)

- Certain conditions or operations can be set up and logged according to the time and date of the occurrence. Subsequently events can be reviewed in a list or represented on a graph. Up to 16 User Counters are available and can be used as a part of the Events system. User Counters can be set up as a Cause or an Effect of an Event. Preset Markers can be configured and used when applying a Mark to the chart through the event system, the alert system or manually.

## Concurrent Batch Mode (option)

- Batch enhances the management of data collected in non-continuous process, known as batch processing, used in thermal treatment, sterilisation, food processing and chemical reactions. Batch mode has changed to allow concurrent batches, where each batch is associated with a group, so all pens within Group 1 will belong to the batch that is controlled by Group 1. Batch features include Pause chart when batch stopped, Batch Logging control, List driven data fields, Automated batch counters, Event driven batch control, Updated control and feedback, Batch mode State and Count in scripts/embedded variables.

## Standard features ..

- **CE Mark** - Conformity with 73/23/EEC, Low Voltage Directive and 89/336/EEC EMC Directive.
- **Soft Alarms** - 6 "software" alarms per pen are easily set up to display and record selected out-of-limit conditions. These can be tied to the relay or digital outputs to activate the user's external equipment.
- **Communications** - the recorder supports FTP, Modbus TCP/IP (slave mode), web and email over Ethernet (DHCP standard) communications port and Modbus RTU (slave mode) via an RS485 port (option). USB ports allow the use of an ASCII barcode reader. Email sent to your network connected PC triggered by an Alarm or an Event.
- **Independent Display Chart Speeds and Logging rates** - logging rates can be programmed completely separate from the chart display speed, allowing the data to be displayed and stored at the rates that best suits the application.
- **Language Support** - standard language prompts for English UK & US, French, German, Italian, Spanish, Brazilian, Polish, Hungarian, Slovakian, Czech, Turkish, Romanian, Russian, Portuguese, Greek and Bulgarian.
- **Logarithmic Scales** - all displayed scales can be set as linear or logarithmic.
- **Enclosure rating** - standard NEMA 3 / IP54 type front face protection. NEMA 4X / IP66 available as an option.
- **Pulse Inputs** - The 8 Digital I/O option card has 4 channels that can be set as pulse inputs (first 4 channels). The operating frequency for pulse inputs on the Digital I/O card is 1kHz max.
- **Rate up and rate down alarms** - Users can configure a rate of change in engineering units to be checked over a time period in seconds from 1 to 3600 (1 hour).
- **Fuzzy Logging** - this standard feature provides a unique method to increase the storage capacity of the recorder. The data is monitored to determine changes in process data; if no changes are observed data is logged periodically. If data is changing rapidly, it is recorded normally at the programmed rate. By not logging data that is static, data compression of up to 100:1 or more can be achieved saving valuable memory.
- **Security tag** - "wire seal provision" that provides added security to seal the front door and rear wiring when using optional rear cover to prevent undetected entry to these areas of the recorder.
- **USB Ports** - Front and rear USB host ports for data and setup transfers or remote screen through this port. Front USB port is standard and the rear USB port is available with the Communications card option. Use these ports to attach external devices (keyboard or mouse), for direct interfacing with the recorder.
- **Replay with Zoom** - Select replay mode and zoom-in on a specific area on the screen. The data can easily be replayed at the recorder with the ability to "zoom". The touch screen makes it fast to review and analyse historical data. A "jump" function allows you to go from any message list directly to the trend showing the occurrence of the alarm.
- **Dual Cursors in Replay** - Displays the time and date between two independently positioned cursors on a replay screen. Also provides digital readings and shows the max min between the cursors.
- **Alert System** - Error messages can be displayed for serious errors such as a connectivity problems or can be used as an early warning message system to notify the user on potential memory storage space availability.
- **Sound Effects** - Sound effects, Used as an event effect the user can pick from a list of 20 different sounds these can be configured to play a single time or repeat continuously until a corresponding "stop" event is triggered for that sound. The sounds themselves can be replaced on the recorder with custom sounds.
- **User Variables** - Provides the user with the ability to set values for up to 32 variables that can be used in the maths and scripts. Values can be altered to effect calculations without having to change the configuration. User variables are non-volatile.

## Options - Hardware

- **Alarm Card** - 4 or 8 outputs relay contacts SPCO 240V, 8 Digital I/O - SPNO 24VDC. Programmable alarm set points can be configured to activate up to 8 outputs.
- **RS485 Modbus** - the RS485 connection allows process data to be transferred to other devices, or to record data received in MODBUS RTU protocol (slave mode only).
- **Portable Recorders** - Portable cases available as an accessory item.
- **Digital Input** - Two digital input options are available: 2 inputs on 8 channel Alarm card, 8 inputs on Digital I/O card. The digital inputs allow users to initiate, from a remote location via a dry contact closure, selected recorder functions.
- **Approvals** - CSA and UL
- **24VAC/DC Power Supply** - 20 to 30VDC / 20 to 25VAC
- **24VDC Transmitter Power Supply** - can supply up to 130mA to external transmitters.
- **Print Support** - Network printing from status, message and replay screens. Plus screen capture facility of process screens instantly using a basic USB standard PCL printer.

# eZtrend QXe Standard Screens

Up to 10 screens displaying multiple combinations of Charts, Bars and Digitals can be configured, 6 examples below.

|  |  |                          |
|--|--|--------------------------|
|  |  |                          |
| <p>Chart and 6 Digitals</p>              | <p>6 Digitals</p>                                    | <p>6 Horizontal bars</p> |
|  |  |                          |
| <p>Horizontal chart, 3 vertical bars</p> | <p>Vertical chart, 3 horizontal bars, 3 digitals</p> | <p>3 Vertical bars</p>   |

## Firmware Credit System

The credits system is a flexible way of adding to the recorder features without having to upgrade the firmware. Simply purchase a number of credits to cover your current and possible future requirements and the recorder will be delivered with the credits loaded.

Credits can be applied as desired to the Firmware functions until the total number of credits purchased has been used up. Additional credits can be purchased later if new features are to be activated and not enough credits are available to support these additional functions.

On Table V of the **“Model Selection Guide”** on page 13 select what firmware credits are required. Details of each firmware option are listed here. .

| Firmware option                             | Credit value | Description   |
|---|--------------|---|
| Full Maths                                  | 4            | Full (Block) Math - this can handle math expressions that can consist of expressions up to 100-characters in length. (Note 1)   |
| Totalisers/<br>Sterilisation<br>calculation | 4            | Each pen can be associated with a totaliser. Using extra pens, the totalised values can be displayed and recorded; multiple totals can be calculated out of the same variable (weekly, monthly, etc.). The totaliser function can handle Fo and Po sterilisation calculation. (Note 1)  |
| Reports                                     | 3            | Generate reports manually or using the event system to show daily/weekly/monthly Totals, Max/Mins, Averages, Current Value. Messages, Message Lists - Alarm, System, Diagnostic, Security & User, Counters, Digital Inputs, and Digital Outputs. Reports can be printed, e-mailed as an attachment or exported to external media in RTF format. Also batch report format to support batch operation.                |
| Health Watch/<br>Maintenance                | 2            | The recorder keeps track of important “life actions” for improved diagnostics and preventative maintenance notification. Including Powered On, Last powered On, Time On since power up, Total On time, Total Off time, Longest Off time, Lithium cell life, Backlight life left at 100% brightness, Compact Flash insertions, Hi/Lo CJC value (Hi & Lo temps), Analogue In last factory/user cal, Relay operations. |

| Firmware option      | Credit value | Description   |
|----------------------|--------------|---|
| <b>Events</b>        | <b>6</b>     | <p>Events are certain conditions or operations that can be set up and logged according to the time and date of an occurrence. Subsequently events can be reviewed or displayed on a graph.</p> <p>The Event Causes include:</p> <ul style="list-style-type: none"> <li><b>Alarms</b> - Into/Out of and Alarm Ack</li> <li><b>Totals</b> - Start/Stop/Reset/Reset and Start</li> <li><b>Digital Input</b> - ON/OFF/State Change</li> <li><b>T/C Burnout</b></li> <li><b>Scheduled</b> - Once/Interval/Specific Days/ Month End</li> <li><b>User Counters</b></li> <li><b>Max/Mins</b> - Reset</li> <li><b>System</b> - Power ON/Setup Change/Internal Memory Low/Export Memory Low/ FTP Memory Low</li> <li><b>User Action</b> - Mark Chart,</li> <li><b>Batch</b> - Start/Stop/Pause.</li> </ul> <p>The Event Effects include:</p> <ul style="list-style-type: none"> <li><b>Logging</b> - Start/Stop</li> <li><b>Totaliser</b> - Start/Stop/Reset/Reset &amp; Start,</li> <li><b>Digital Output</b> - ON/OFF</li> <li><b>Alarm Acknowledge</b></li> <li><b>Emails, Screen Change, Print Screen, Counters</b> - Reset/Increment</li> <li><b>Max/Min</b> (Reset)</li> <li><b>Chart Control</b>- Pause/Stop/Resume/Clear/Prefil</li> <li><b>Clear All Messages, Delayed Event</b></li> <li><b>Script Timers</b> - Start/Stop/Reset/Reset &amp; Start</li> <li><b>Play Sound</b> - Start/Stop</li> <li><b>Display Alert, Reports, Mark Chart</b></li> <li><b>Batch</b> - Start/Stop/Pause</li> </ul> <p>Each event marker can be recorded for analysis using the Trend Manager Analysis Software Suite. (Note 2)</p> |
| <b>Print Support</b> | <b>2</b>     | Network printing from status, message and replay screens. Pluse screen capture facility of process screens instantly using a basic USB standard PCL printer.  |
| <b>Batch/Groups</b>  | <b>5</b>     | The Batch function allows the user to segment portions of data for further analysis. The Batch function manages sections of data. Concurrent batches are now associated with a group of pens. The pens with in each group will belong to the batch that is controlled by that group. Batches can be controlled through the event system and batch markers are setup by the user and are used to identify and analyse batches of data. Supports up to 6 concurrent batches.  |
| <b>Counters</b>      | <b>3</b>     | User Counters can be set up and used as a part of the Events system to count an occurrence. Other counters are available depending on hardware availability. Eg. Alarm, Event, Digital Input, Relay Output and Pulse counters.  |
| <b>Modbus Master</b> | <b>10</b>    | Modbus master enables the recorder to communicate with up to 32 Slave devices on both Ethernet and RS485. The recorder itself can also act as a slave device while also being a master. Modbus master can also be used in conjunction with OPC to enable the recorder to act as a communication bridge.   |
| <b>Remote Viewer</b> | <b>3</b>     | Extends the user interface of the recorder onto the desktop PC. Providing full remote control of the unit launched from a web browser.  |
| <b>Email</b>         | <b>3</b>     | Setup email accounts to send the following: When an Alarm is triggered or an Email can be sent as a part of an Event occurring, such as: Alarms - In/Out/Ack , Totaliser – Start, Stop or Reset, Digital Inputs – On, Off or State change, TC Burnout – on a specific Analogue Input channel, Scheduled Events – Once, Interval, Specific days, Month End.  |
| <b>OPC Server</b>    | <b>8</b>     | OPC (OLE for Process Control) - Software application for realtime interfacing between servers and clients. OPC is a software standard that defines common interfaces for data exchange between devices such as recorders, controllers, PLC's and Windows™ based applications  |
| <b>Pwd Net Sync</b>  | <b>5</b>     | Password Network Synchronisation. Password can be synchronised over the network, a recorder can be designated as a master of a password group and other recorders can be added to that group as slaves, the master will ensure all passwords are synchronised with all recorders in its group. Maximum number of password slaves in one group is 31.  |
| <b>Extra Pens</b>    | <b>2</b>     | 4 extra pens to store and display totalised values, results of calculations, etc. Maximum is up to 16 extra pens for the QX recorder.   |

#### Notes

(1) Additional pens ("Extra Pens") can be used to display and store the results of calculations, totalisers, variables imported via communications, or to store values.

(2) Event markers are required to automatically reset the totalisers, for example on a periodic basis or on an external condition. (Not necessary if the totalisers are reset manually)

# The TrendManager Software Suite

The TrendManager Pro Software Suite complements the capabilities of the "X Series" recorders by providing the benefits of viewing, configuration, network communications, database management, data analysis and report generation using a personal computer. It ties the process together, providing for real-time or FTP communications with the recorders through a Local Area Network (LAN).

## TrendViewer

TrendViewer - is the standard software provided with the recorder that displays and prints data imported from the storage media used by the recorder.

## TrendManager Pro

TrendManager Pro is an advanced data analysis/archiving software package, providing full configuration of the recorders. TrendManager Pro is a stand-alone package that delivers to the user total recorder configuration, allowing the user to archive, graph, print and export data. TMP also allows files to be exported using comma separated variables (CSV) format, that can be imported in most computer software.

## TrendServer Pro

TrendServer Pro is a fully network aware software package for real-time viewing and archiving of data with communications to the recorder. It supports all the capabilities of TrendManager Pro plus real-time data acquisition FTP (File Transfer Protocol) and web browser access. TrendServer Pro provides secure multi-level, multi-user access to the recorder data by various departments with security. Standard features of TrendServer Pro include data archive tools E-mail set up and alarming, graphing, print, import and export data facilities.

**TrendServer Pro with OPC Server** - provides the same functions as the TrendServer Pro tools, but includes the added function of an integrated OPC Server to allow easy interfacing to third party HMI software packages that support an OPC Client. This provides a real-time interface between servers and clients.

**Modbus Profile Configuration Tool** - this is a tool that comes as part of the TrendServer Pro software that allows the user to set up Modbus Device Profiles for use by the Communications Server. It allows the user to set up other Modbus devices other than the **X Series** recorders to get real time data into TrendServer Pro.

## Communications Server

The Communication Server is supplied with TrendServer Pro. It manages real-time communications, distributed access to the stored data, time synchronisation over RS-485 and Ethernet networks. It is also available with a V2 compliant OPC Server to make it easier to interface third party HMI software packages that support an OPC Client. The Communication Server provides security for the transmission and storage of process data.

## Database Management Tool

**Database Management Tool** - this software application works with TrendManager Pro and TrendServer Pro to provide safe administration of data with tools to archive, sort, move, copy and delete the data stored in local and remote databases.

The Database Management Tool software is supplied with TrendServer Pro.

| Minimum System requirements for TrendViewer, TrendManager Pro:-       | Minimum System requirements for TrendServer Pro:                      |
|---|---|
| 1GHz Pentium processor or higher                                      | 1GHz Pentium processor or higher                                      |
| CD-ROM drive  | CD-ROM drive  |
| Monitor screen resolution 1024 x 768 recommended minimum, high colour | Monitor screen resolution 1024 x 768 recommended minimum, high colour |
| Windows™ 2000, XP   | Windows™ 2000, XP   |
| 512 Mbyte of RAM (min 512 Mbyte recommended)                          | 512 Mbyte of RAM (min 512 Mbyte recommended)                          |
| 16 bit colour graphics, 24 bit recommended                            | TCP IP installed  |
| 50 Mbyte free hard disk space   | 2 Gbyte Hard-drive free disk space                                    |
| A mouse   | A mouse   |
| Flash card reader or USB port   | Flash card reader or USB port   |

| Specification                                  | Design Attributes   |
|--|---|
| <b>Digital indicators and Display</b>          | <p><i>Display size and Type:</i> 5" diagonal, Digital Colour LCD (TFT) with Touch Screen Industrial grade with brightness adjustment and wide viewing angle</p> <p><i>Resolution:</i> QVGA (320 x 240 pixels).</p> <p><i>Screen Saver:</i> Set in minutes from 1 to 720, can be set to dim the screen or to switch off. Automatic wake-up facility in the case of an alarm.</p> <p><i>Brightness adjustment:</i> Adjustable between 10 and 100%, default set to 80% brightness.</p> <p><i>Backlight life time:</i> 40,000 hours to half brightness when used at 100% (62,500hr if used at 80%). Maximum luminosity 450 cd/m<sup>2</sup>.</p> <p><i>Touch Screen life:</i> 1,000,000 touches</p>   |
| <b>Display Update Rate</b>                     | Display values updated every second   |
| <b>Status Display</b>                          | A status bar, at the top of the recorder's screen, displays the real-time icons of the recorder status, such as recording time left and alarm active.   |
| <b>Communications</b>                          | Ethernet 10/100 base - T with RJ45 connector supporting Modbus/TCP, FTP, Internet, DHCP or fixed IP address. RS485 Modbus RTU (up to 115200 Baud Rate). RS485 port is available as an option on the Comms card.   |
| <b>Mathematics</b>                             | Basic maths include Add, Subtract, Multiply, Divide, Modulo and power. Full Maths (option) support up to 100 character free form math expression for each pen. For example: SINE, COS, TAN, Log, Parenthesis (eg. A1 + A2), comms variables, free memory, and access to any data item variable (A1, P1, D1 etc.).   |
| <b>Front (std) and Rear (option) USB Ports</b> | USB host ports front (std) and rear (option) for data and setup transfers through these ports. External devices keyboard or mouse, Barcode reader, or external mass storage device. (USB 1.1 compliant)   |
| <b>Standard Screens</b>                        | Fully programmable display values in engineering units. Time & date stamp on every division. Sets of Standard screens are available to display data on a chart, digital reading, bargraphs or numerous combinations thereof. Screen properties can be modified on the recorder and customised to suit. Digital values displayed include alarms on bars, engineering units, pen name, tag, time and date, 20 character description and totalised values.   |
| <b>Data Storage</b>                            | <p><i>Local Mass Storage Options (Removable Media):</i> USB memory key - no size restrictions but must be formatted (FAT, FAT16, TFAT, FAT32). USB hard drive - up to 120Gb,</p> <p><i>Internal Data Buffer:</i> Non-volatile. 70MB (16 million acquisition values) and 400MB (up to 90 million points)</p> <p><i>Setup and screens:</i> Stored internally on non-volatile memory</p> <p><i>Manual Saving:</i> Data saving by inserting USB memory stick</p> <p><i>Data Saving Period:</i> Related to log rate, number of pens, totals and alarms. Each pen is capable of its own independent storage rate. (200ms to 60 h).</p> <p><i>Data Format:</i> Honeywell binary encoded format</p> <p><i>Recycling Mode:</i> Internal memory has FIFO (First In First Out) capability where the newest data over-writes the oldest data.</p> |
| <b>Power Requirements</b>                      | <p><i>Voltage (VRMS):</i> 100VAC to 250VAC (auto select). Frequency: 50/60Hz</p> <p><i>Power Consumption:</i> &lt;40W.</p> <p><i>24V Optional instrument power:</i> 20 to 30VDC/20 to 25VAC. Power Consumption: &lt; 40 watts</p>   |
| <b>Battery</b>                                 | Battery backed up for clock, replaceable lithium battery Type 6032, 3.0V – 10 years life (Recorder powered), 4 years life, typical (Recorder un-powered).   |
| <b>Password Protection</b>                     | <p>Multiple Administrator control of password setup and management with four levels of password protection for – Engineer, Supervisor, Technician, and Operator. Up to 50 different users are available. Password protection restricts user entry to the recorder set up and specific screens.</p> <p>Engineer – Highest access to all levels, Supervisor, Technician and Operator.</p> <p>Supervisor – 2nd highest level including Technician and Operator access</p> <p>Technician – 3rd level including Operator access</p> <p>Operator – 4th and lowest level of access.</p>  |
| <b>Languages</b>                               | English UK & US, French, German, Italian, Spanish, Brazilian, Polish, Hungarian, Slovakian, Czech, Turkish, Romanian, Russian, Portuguese, Greek and Bulgarian.   |
| <b>Temperature Units</b>                       | °C, °F, °K  |

| <b>Specification</b>                   | <b>Design Attributes</b>  |
|--|---|
| <b>Recorder Identification</b>         | Status bar: Alternately displays Recorder ID and Recorder Screen Name. Displays Time and Date.  |
| <b>Clock</b>                           | Accuracy: $\pm 29$ ppm ( $\pm 1$ minute/month) @ 25°C.<br>Summer/Winter manual or automatic time adjustment or via communications. SNTP Client and/or Server included for synchronising over Ethernet.  |
| <b>Alarm Set Points</b>                | 6 per pen integral "soft" alarm set points easily set by user to announce selected out of limit conditions; user can select if an alarm triggers a change in the chart background colour. Alarm triggers can be set for Hi, Lo, Deviation. Latched alarms require acknowledgement from the operator.<br>Alarm Damping - 1 sec to 24 Hours; Hysteresis - +/- 100% of pen scale.<br>An alarm can change the log rate on the affected pen. |
| <b>Data Replay Mode</b>                | Data replay facility on chart displays at normal, fast or slow speeds with zoom and cursor. Jump facility from the alarm history list directly to the occurrence on the chart.  |
| <b>Display Chart Speeds</b>            | Chart rates: 1 mm/hour, 5 mm/hour, 10 mm/hour, 20 mm/hour, 30 mm/hour, 60 mm/hour, 120 mm/hour, 600 mm/hour, 1200 mm/hour, 6000 mm/hour. Combinations of rates can be mixed and chart speeds can be set independently for each chart. Display speeds are independent of logging rate  |
| <b>Messages Screen</b>                 | The message screen displays system information and records any setup activity that has been changed. It also provides warning and error message updates, lists alarm activity and will display user defined marks on a chart.   |
| <b>CE Conformity (CE Mark)</b>         | This product conforms with the protection requirements of the following European Council Directives: 73/23/EEC, the Low Voltage Directive, and 89/336/EEC, the EMC Directive. Conformity of this product with any other "CE Mark" Directive(s) shall not be assumed.  |
| <b>Immunity Product Classification</b> | Complies with EN61326 Class I: Cord Connected, Panel Mounted Industrial Control Equipment with protective earthing (grounding). (EN 61010-1)  |
| <b>Enclosure Rating</b>                | Front panel designed to NEMA3 / IP54 (Optional NEMA 4X / IP66)  |
| <b>Installation Requirements</b>       | Category II: Overvoltage (EN 61010-1)<br>Pollution Degree 2   |
| <b>EMC Standards</b>                   | Emissions - EN61326 Class A<br>Immunity - EN61326 Industrial Levels   |
| <b>Safety</b>                          | Complies with EN61010-1: 2001. Panel Mounted Equipment, Terminals must be enclosed within the panel.  |

| <b>Specification</b>              | <b>Analogue Inputs</b>  |
|-----------------------------------|---|
| <b>Number of Inputs</b>           | 3, 6, 9 or 12 input channels  |
| <b>Input Types</b>                | mV, V, mA with external shunt (provided as standard), Thermocouple, RTD and ohms  |
| <b>Minimum Input Span</b>         | Range is fully configurable with span limitation of the operating range selected with 4% under range to 4% over-range capability (50V Range 2%) |
| <b>Burnout (T/C)</b>              | Active (High or Low), Passive and Health watch/maintenance (option).  |
| <b>Cold Junction Compensation</b> | Internal compensation with the ability to manually adjust values, External Input for compensation, External CJC value specified                 |
| <b>Input Resolution</b>           | 0.0015% (16 Bit ADC)  |
| <b>Input Impedance</b>            | Current loop resistance: 10 ohms, use $\pm 0.1\%$ external resistor. Volts $> 1M\Omega$ , all other $> 10M\Omega$                               |
| <b>Source Impedance</b>           | T/C and RTD: 100 ohms per lead maximum. (A single point cal on Slot A will improve accuracy for a lead resistance above 10 ohms).               |
| <b>Square Root Extraction</b>     | Available as standard on Volts and mA input types   |

| Specification                                 | Analogue Inputs  |
|---|--|
| <b>Sensor Compensation</b>                    | Single point and Dual point for every input type   |
| <b>Input Sampling Rate</b>                    | Recorder has 2 available slots with up to 6 analog inputs each; first slot fixed.<br>Analogue Input card (std): 200mS (5Hz), 500mS (2Hz)<br>Analogue Input expansion card (option): 100mS (10Hz), 200mS (5Hz), 500mS (2Hz)   |
| <b>Scales, Linear &amp; Logarithmic</b>       | Normal and Scientific notation<br>Decimal Point automatic or programmable<br>Engineering units, user definable (10 characters)<br>Logarithmic Decade limits: -38 min, to +38 max, (recommend up to 20 decades on one screen to ensure clarity)   |
| <b>Input Isolation</b>                        | 300VAC channel-to-channel, channel-to-ground. (Resistance thermometers are not isolated for initial card, expansion card option RTs are isolated)  |
| <b>Noise Rejection<br/>(at 50/60Hz) +/-2%</b> | <b>Analogue Input card (std)</b><br>Common mode: 2Hz = -120dB, 5Hz = -120dB<br>Normal Mode: 2Hz = -80dB, 5Hz = -25dB<br><b>Analogue Input expansion card (option)</b><br>Common mode: 2Hz = -120dB, 5Hz = -120dB, 10Hz = -120dB<br>Normal Mode: 2Hz = -85dB, 5Hz = -80dB, 10Hz = -48dB |

| Specification         | Logging   |
|-----------------------|---|
| <b>Logging Method</b> | Sample, Average, Min/Max - can be set independently per pen   |
| <b>Logging Types</b>  | Continuous, Fuzzy   |
| <b>Logging Rate</b>   | From 100msec. to 60 hours per pen   |
| <b>Fuzzy Logging</b>  | A secure data storage technique which delivers data compression ratio of 100:1 or more; self teaching, storing the data at a variable rate to match the process |

| Specification             | Physical Parameters   |
|---------------------------|---|
| <b>Enclosure/Bezel</b>    | Zinc plated steel case with high impact resistant polycarbonate bezel; scratch resistant lens (Polyethylene Terephthalate). NEMA 3 / IP54 protection rating standard. Optional NEMA 4X / IP66 (Front face only)   |
| <b>Mounting Panel</b>     | Unlimited mounting angle. For the best view of the display the viewing angle should not exceed 45° from the left or right, 10° looking down and 30° looking up at the recorder display. Mounting adjustable for panel thickness of 2mm to 20mm. Adapter kits available for covering existing panel cutouts. |
| <b>Dimensions</b>         | W: 144mm (5.67"), H: 144mm (5.67"), D: 200mm (7.87"). Additional 80mm (3.15") clearance recommended for a straight type power cable and signal connectors. Cutout 138 x 138mm (5.43 x 5.43")  |
| <b>Weight</b>             | 2.4 Kg (5.3lb) max.   |
| <b>Colour</b>             | Bezel: Black  |
| <b>Wiring Connections</b> | IEC Power Plug. Removable terminal strip for input and alarm connections  |

# Input Range Performance and Accuracy

For Analogue Input standard and expansion cards

| Input Actuation (Linear)        | Range  | Accuracy  | Temp. Stability +/-                 | Input Impedance                     |                     |
|---------------------------------|--|---|-------------------------------------|-------------------------------------|---------------------|
| Millivolts DC                   | -5 to 5, -10 to 10,<br>-25 to 25, -50 to 50, -100 to 100,<br>-250 to 250, -500 to 500, -1000 to 1000 | +/- 0.2% F.S.<br>+/- 0.1% F.S.<br>+/- 0.1% F.S.                     | 0.01%/ °C<br>0.01%/ °C<br>0.01%/ °C | >10M ohms<br>>10M ohms<br>>10M ohms |                     |
| Volts DC                        | -0.3 to 0.3, -0.6 to 0.6, -1.5 to 1.5,<br>-3 to 3, -6 to 6, -12 to 12,<br>-25 to 25, -50 to 50       | +/- 0.1% F.S.<br>+/- 0.1% F.S.<br>+/- 0.1% F.S.                     | 0.01%/ °C<br>0.01%/ °C<br>0.01%/ °C | >1M ohms<br>>1M ohms<br>>1M ohms    |                     |
| Milliamps **                    | 4 to 20, 0 to 20   | +/- 0.2% F.S.   | 0.01%/ °C                           |                                     |                     |
| Ohms, 200                       | 0 to 200   | +/- 0.1% F.S.   | 0.01%/ °C                           |                                     |                     |
| Ohms, 500                       | 0 to 500   | +/- 0.1% F.S.   | 0.01%/ °C                           |                                     |                     |
| Ohms, 1000                      | 0 to 1000  | +/- 0.1% F.S.   | 0.01%/ °C                           |                                     |                     |
| Ohms, 4000                      | 0 to 4000  | +/- 0.1% F.S.   | 0.01%/ °C                           |                                     |                     |
| Input Actuation (Thermocouples) | Range  |   | Reference Accuracy                  |                                     | Temp. Stability +/- |
|                                 | °F   | °C  | +/- °F                              | +/- °C                              |                     |
| B*                              | 500 to 1000<br>1000 to 3300  | 260 to 538<br>538 to 1816   | 8.1<br>4.0                          | 4.5<br>2.2                          | 0.01%/ °C           |
| E*                              | -454 to -328<br>-328 to -94<br>-94 to 1832   | -270 to -200<br>-200 to -70<br>-70 to 1000                          | 21.6<br>3.1<br>1.3                  | 12<br>1.7<br>0.7                    | 0.01%/ °C           |
| J*                              | -346 to 32<br>32 to 2192   | -210 to 0<br>0 to 1200  | 3.1<br>1.2                          | 1.7<br>0.7                          | 0.01%/ °C           |
| K*                              | -454 to -94<br>-94 to 2502   | -270 to -70<br>-70 to 1372  | 36<br>1.8                           | 20<br>1                             | 0.01%/ °C           |
| R*                              | -58 to 500<br>500 to 1202<br>1202 to 3214  | -50 to 260<br>260 to 650<br>650 to 1768                             | 9.0<br>3.6<br>2.7                   | 5.0<br>2<br>1.5                     | 0.01%/ °C           |
| S*                              | -58 to 500<br>500 to 1832<br>1832 to 3214  | -50 to 260<br>260 to 1000<br>1000 to 1768                           | 6.3<br>3.2<br>2.7                   | 3.5<br>1.8<br>1.5                   | 0.01%/ °C           |
| T*                              | -454 to -346<br>-346 to 752  | -270 to -210<br>-210 to 400   | 9.7<br>1.8                          | 5.4<br>1                            | 0.01%/ °C           |
| L*                              | -328 to 32<br>32 to 1652   | -200 to 0<br>0 to 900   | 2.2<br>1.3                          | 1.2<br>0.7                          | 0.01%/ °C           |
| G* (W_W26)                      | 32 to 212<br>212 to 600<br>600 to 1526<br>1526 to 2759<br>2759 to 4199                               | 0 to 100<br>100 to 316<br>316 to 830<br>830 to 1515<br>1515 to 2315 | 45<br>11.2<br>5.0<br>3.1<br>5.0     | 25<br>6.2<br>2.8<br>1.7<br>2.8      | 0.01%/ °C           |
| C* (W5, W26)                    | 32 to 356<br>356 to 2228<br>2228 to 4199   | 0 to 180<br>180 to 1220<br>1220 to 2315                             | 4.5<br>3.6<br>6.7                   | 2.5<br>2<br>3.7                     | 0.01%/ °C           |
| M* (NiMo-NiCo) (NNM90)          | -58 to 698<br>698 to 2570  | -50 to 370<br>370 to 1410   | 2.0<br>1.4                          | 1.1<br>0.8                          | 0.01%/ °C           |
| N* (Nicosil Nisil)              | -328 to 212<br>212 to 2372   | -200 to 100<br>100 to 1300  | 5.8<br>2.0                          | 3.2<br>1.1                          | 0.01%/ °C           |
| Chromel/Copel*                  | -58 to 1112  | -50 to 600  | 1.1                                 | 0.6                                 | 0.01%/ °C           |
| P* (Platinel)                   | 32 to 2534   | 0 to 1390   | 2.5                                 | 1.4                                 | 0.01%/ °C           |
| D*                              | 32 to 356<br>356 to 3344<br>3344 to 4515   | 0 to 180<br>180 to 1840<br>1840 to 2490                             | 6.3<br>4<br>11.7                    | 3.5<br>2.2<br>6.5                   | 0.01%/ °C           |
| PT100 $\alpha = 0.00385$        | -328 to 1562   | -200 to 850   | 1.1                                 | 0.6                                 | 0.01%/ °C           |
| PT200 $\alpha = 0.00385$        | -328 to 1562   | -200 to 850   | 1.1                                 | 0.6                                 | 0.01%/ °C           |
| PT500 $\alpha = 0.00385$        | -328 to 1562   | -200 to 850   | 1.1                                 | 0.6                                 | 0.01%/ °C           |
| PT1000 $\alpha = 0.00385$       | -328 to 1562   | -200 to 850   | 1.1                                 | 0.6                                 | 0.01%/ °C           |

| Input Actuation (Linear) | Range       |            | Accuracy |     | Temp. Stability +/- | Input Impedance |
|--------------------------|-------------|------------|----------|-----|---------------------|-----------------|
| 100 ohm Nickel           | -76 to 356  | -60 to 180 | 0.9      | 0.5 | 0.01%/ °C           |                 |
| 120 ohm Nickel           | -112 to 500 | -80 to 260 | 0.5      | 0.3 | 0.01%/ °C           |                 |

Reference Temperature: 22°C

Reference Sample Rate: 2Hz (500msec)

Reference Humidity: 65% RH +/-15%

Long term stability: 0.2%/year

\* Does not include reference junction calibration of ±1.0 °C using the standard "ice bath" method of calibration. Factory accuracy can be improved by performing a field calibration. Also does not include any error on the sensor.

\*\* Tolerance for these input types includes that of the external shunt resistors (0.1% tolerance)

| Specification                          | Options  |
|--|--|
| <b>Alarm Outputs (optional)</b>        | <p>Programmable alarm set points (6 per pen) can be configured to activate up to 8 outputs. Update rate: 200 ms for all alarms. Number/Type:</p> <ul style="list-style-type: none"> <li>• 4 or 8 relay contacts SPDT, 3A 240VAC, 3A 24VAC/DC, 0.2A 240VDC (non-inductive, internally suppressed)</li> <li>• 8 I/O - SPNO 1A 24VDC (non-inductive, internally suppressed)</li> </ul> <p>Activation: Fully programmable internal alarm levels. Assignable to any relay output.</p>   |
| <b>Digital Input/Output (optional)</b> | <p>8 I/O: all channels may be selected freely as either digital inputs or outputs. Inputs: voltage free, isolated. The Digital I/O card also has 4 channels that can be set as pulse inputs (channels 1 to 4). The operating frequency for pulse inputs on the Digital I/O card is 1kHz max.</p> <p>4 relay outputs: all four channels are relay outputs only.</p> <p>8 relays/ 2 DI card: two outputs can be configured for use as digital inputs: A digital input is provided by a volt free contact between the normally open (NO) and the common (C) terminals of an output relay. If the 2 Digital inputs are used only 6 relay outputs are available. Closed &lt;500 ohms, Open &gt;300 kohms.</p> |
| <b>Agency Approval (optional)</b>      | CSA (Optional) CSA22.2-No.1010.1-2004 Certificate Number L211230. UL (Optional) ANSI/UL61010-1-2004 File # 201698.   |
| <b>Transmitter Power (optional)</b>    | 130mA @ 24VDC ± 3VDC.  |
| <b>Miscellaneous</b>                   | Optional customer ID Tagging (3 lines of up to 22 characters each line)  |
| <b>Firmware credit options</b>         | Maths, Events, Totals, Reports, Health Watch/Maintenance, Printing, Batch, Counters, Modbus Master, Remote View, Email, OPC, Password Net Sync, Extra Pens. <a href="#">See "Firmware Credit System" on page 5.</a>  |

| Specification                          | Environmental and Operating Conditions      |                                  |                                  |                                    |
|--|---|----------------------------------|----------------------------------|------------------------------------|
| Parameter                              | Reference                                   | Rated                            | Extreme                          | Transport & Storage                |
| <b>Ambient Temperature</b>             | 67 °F to 77 °F<br>19 °C to 25 °C            | 32 °F to 122 °F<br>0 °C to 50 °C | 32 °F to 122 °F<br>0 °C to 50 °C | 14 °F to 140 °F<br>-10 °C to 60 °C |
| <b>Relative Humidity (%RH)</b>         | 50 to 65*                                   | 10 to 90*                        | 5 to 90*                         | 5 to 95*                           |
| <b>Vibration</b>                       |   |                                  |                                  |                                    |
| <b>Frequency (Hz)</b>                  | 0   | 0 to 70                          | 0 to 100                         | 0 to 100                           |
| <b>Acceleration (g)</b>                | 0   | 0.1                              | 0.2                              | 0.5                                |
| <b>Mechanical Shock</b>                |   |                                  |                                  |                                    |
| <b>Acceleration (g)</b>                | 0   | 1                                | 5                                | 20                                 |
| <b>Duration (ms)</b>                   | 0   | 30                               | 30                               | 30                                 |
| <b>Mounting Position from Vertical</b> |   |                                  |                                  |                                    |
| <b>Tilted Forward</b>                  | 5°  | 40°                              | 40°                              | Any                                |
| <b>Tilted Backward</b>                 | 5°  | 65°                              | 65°                              | Any                                |
| <b>Tilted to Side (+/-)</b>            | 5°  | 65°                              | 65°                              | Any                                |
| <b>Power Requirements</b>              |   |                                  |                                  |                                    |
| <b>Mains Voltage (Vrms)</b>            | 220 to 240                                  | 100 to 250                       | 90 to 264                        | N/A                                |
| <b>Low Voltage AC (Vrms)</b>           | 24 +/- 2                                    | 20 to 25                         | 20 to 25                         | N/A                                |
| <b>DC Voltages</b>                     | 24 +/- 2                                    | 20 to 30                         | 20 to 30                         | N/A                                |
| <b>Frequency (Hz)</b>                  | 49.8 to 50.2                                | 47 to 63                         | 47 to 63                         | N/A                                |
| <b>Power Consumption</b>               | AC: <40W (max), DC: <40W (max). Typical 20W |                                  |                                  |                                    |
| <b>Warm Up</b>                         | 30 minutes minimum                          |                                  |                                  |                                    |

\* The maximum rating only applies up to 104°F (40°C). For higher temperatures, the RH spec is de-rated to maintain constant moisture content.

# Model Selection Guide

Factory Use

## TVEZQX -

### KEY NUMBER

eZtrend QXe Recorder

### TABLE I - ANALOGUE INPUTS/ EXPANSION CARD

|                                    |     |
|------------------------------------|-----|
| <b>Slot A</b>                      |     |
| Three Analogue Inputs              | 3 _ |
| Six Analogue Inputs                | 6 _ |
| <b>Expansion card</b>              |     |
| None                               | _ 0 |
| Expansion Board for Table II Cards | _ 1 |

### TABLE II - HARDWARE OPTIONS

|  |       |
|--|-------|
| <b>Analogue Inputs</b>   |       |
| None   | 0 _ _ |
| Six Additional Analog Inputs   | 6 _ _ |
| <b>Discrete Input/Outputs</b>  |       |
| None   | _ 0 _ |
| 4 Relay Alarm Outputs  | _ 1 _ |
| 8 Relay Alarm / 2 Digital Inputs (6 fixed) Outputs / 2 Configurable DI or DO | _ 2 _ |
| 8 Configurable Digital Inputs / Relay Outputs                                | _ 3 _ |
| <b>Comms</b>   |       |
| None   | _ _ 0 |
| 24VDC TX Power, Rear USB port, RS485 Comm port                               | _ _ U |
| Rear USB Port, Rear Comm Port  | _ _ V |

### TABLE III - POWER

|                                     |     |
|-------------------------------------|-----|
| <b>Power</b>                        |     |
| 100 -250VAC with IEC Power Plug     | 1 _ |
| 100 -250VAC with US Power Cord      | 2 _ |
| 24VDC Instrument Power              | 5 _ |
| <b>Input Frequency Filter Value</b> |     |
| Input Frequency Filter Value - 50Hz | _ 1 |
| Input Frequency Filter Value - 60Hz | _ 2 |

### TABLE IV - INTERNAL MEMORY EXPANSION

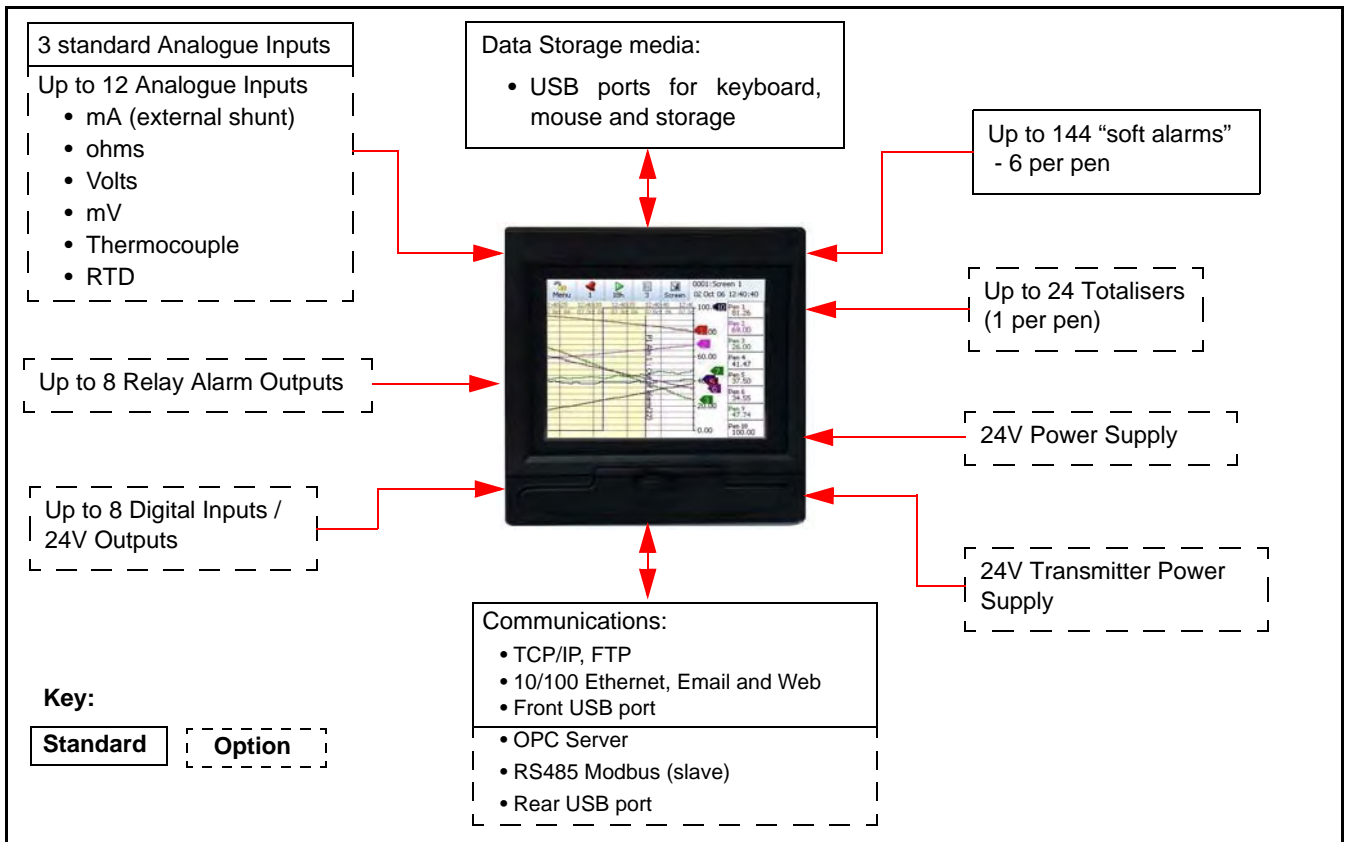
|                        |   |
|------------------------|---|
| None - (70MB standard) | 0 |
| Memory Expansion 400MB | 2 |

### TABLE V - FIRMWARE CREDITS / OPTIONS

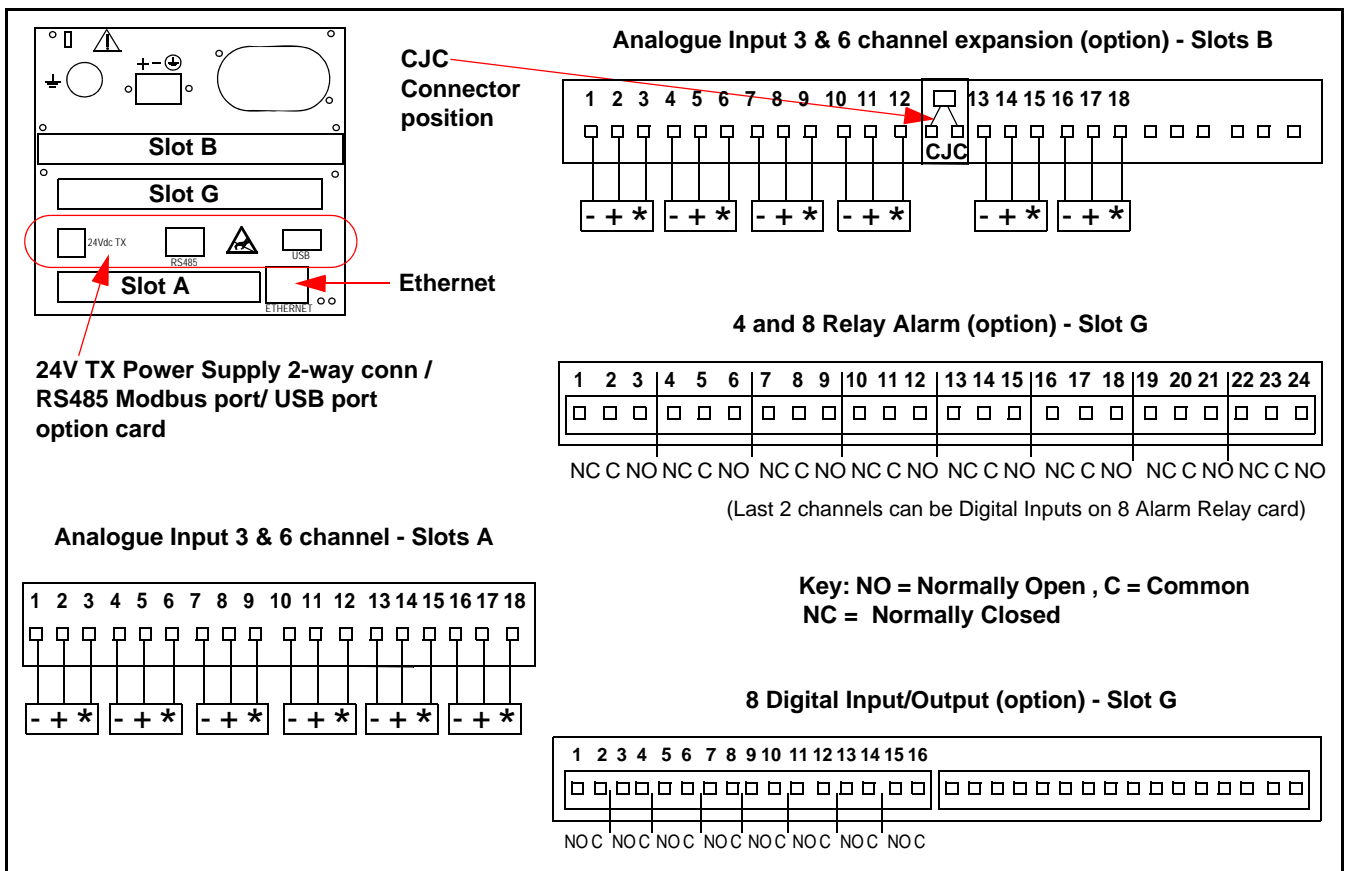
|                          |       |
|--------------------------|-------|
| None                     | 0 _ _ |
| Extended System Security | S _ _ |
| None                     | _ 0 _ |
| Ten Credits              | _ 1 _ |
| Twenty Credits           | _ 2 _ |
| Thirty Credits           | _ 3 _ |
| Fifty Credits            | _ 5 _ |
| Sixty Credits            | _ 6 _ |
| None                     | _ _ 0 |
| Two Credits              | _ _ 2 |
| Five Credits             | _ _ 5 |
| Eight Credits            | _ _ 8 |

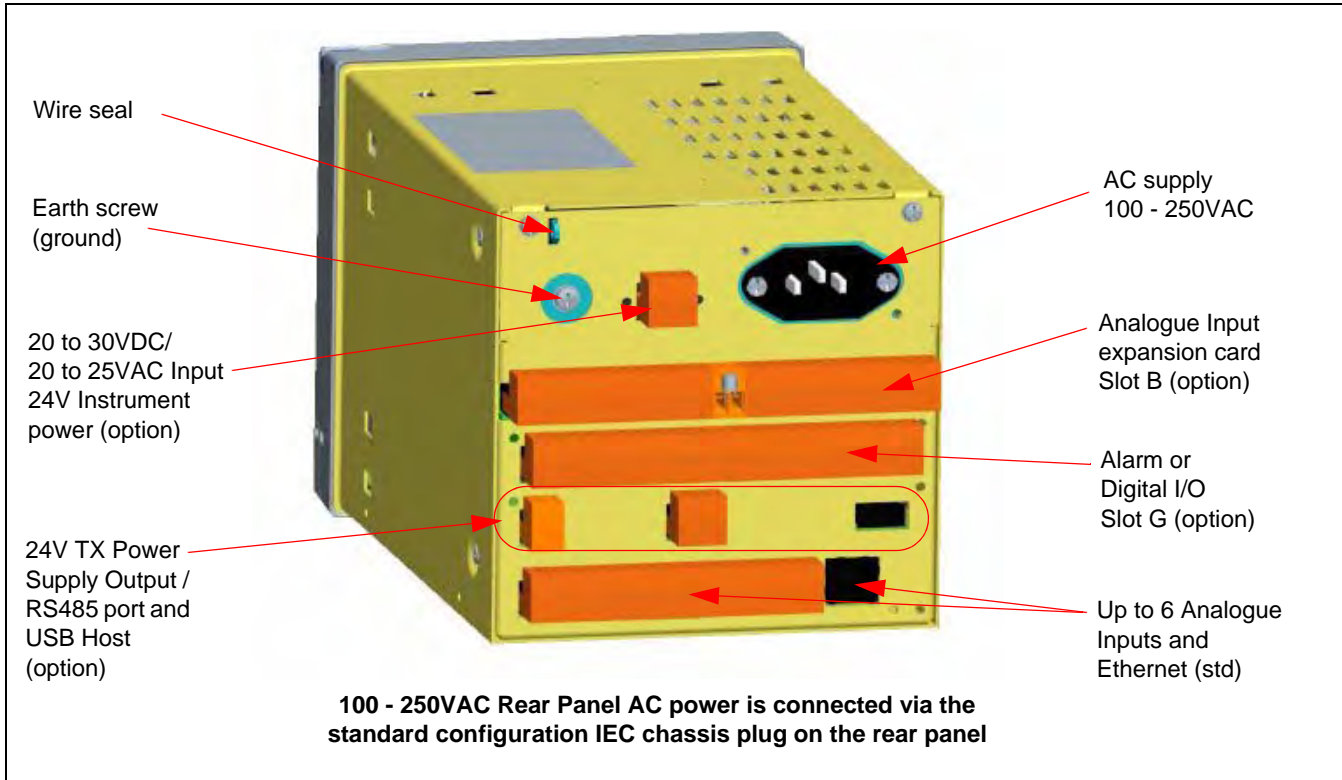
### TABLE VI - OPTIONS

|   |             |
|---|-------------|
| Standard Panel Mounting                         | 0 _ _ _ _   |
| Standard Panel Mounting with Rear Cover         | R _ _ _ _   |
| All product information on TrendViewer CD       | _ 0 _ _ _   |
| English manual & language prompts with TV       | _ U _ _ _   |
| French manual & language prompts with TV        | _ F _ _ _   |
| German manual & language prompts with TV        | _ G _ _ _   |
| No Tagging                                      | _ _ 0 _ _   |
| Linen Tag                                       | _ _ L _ _   |
| Stainless Steel Tag                             | _ _ S _ _   |
| CE Mark / NEMA 3 / IP54                         | _ _ _ 0 _   |
| CE Mark / NEMA 4X / IP66                        | _ _ _ 1 _   |
| CE Mark, UL Listed & CSA / NEMA 4X/IP66         | _ _ _ 3 _   |
| No Certificate                                  | _ _ _ _ 0   |
| Certificate of Compliance (F3391)               | _ _ _ _ B   |
| Custom Calibration Test Report (F3399)          | _ _ _ _ C   |
| Certificate of Conformance & Calib. Test report | _ _ _ _ E   |
| TrendViewer                                     | _ _ _ _ _ 0 |
| TrendManager Pro                                | _ _ _ _ _ P |
| TrendServer Pro                                 | _ _ _ _ _ S |
| TrendServer Pro with OPC capability (single)    | _ _ _ _ _ T |

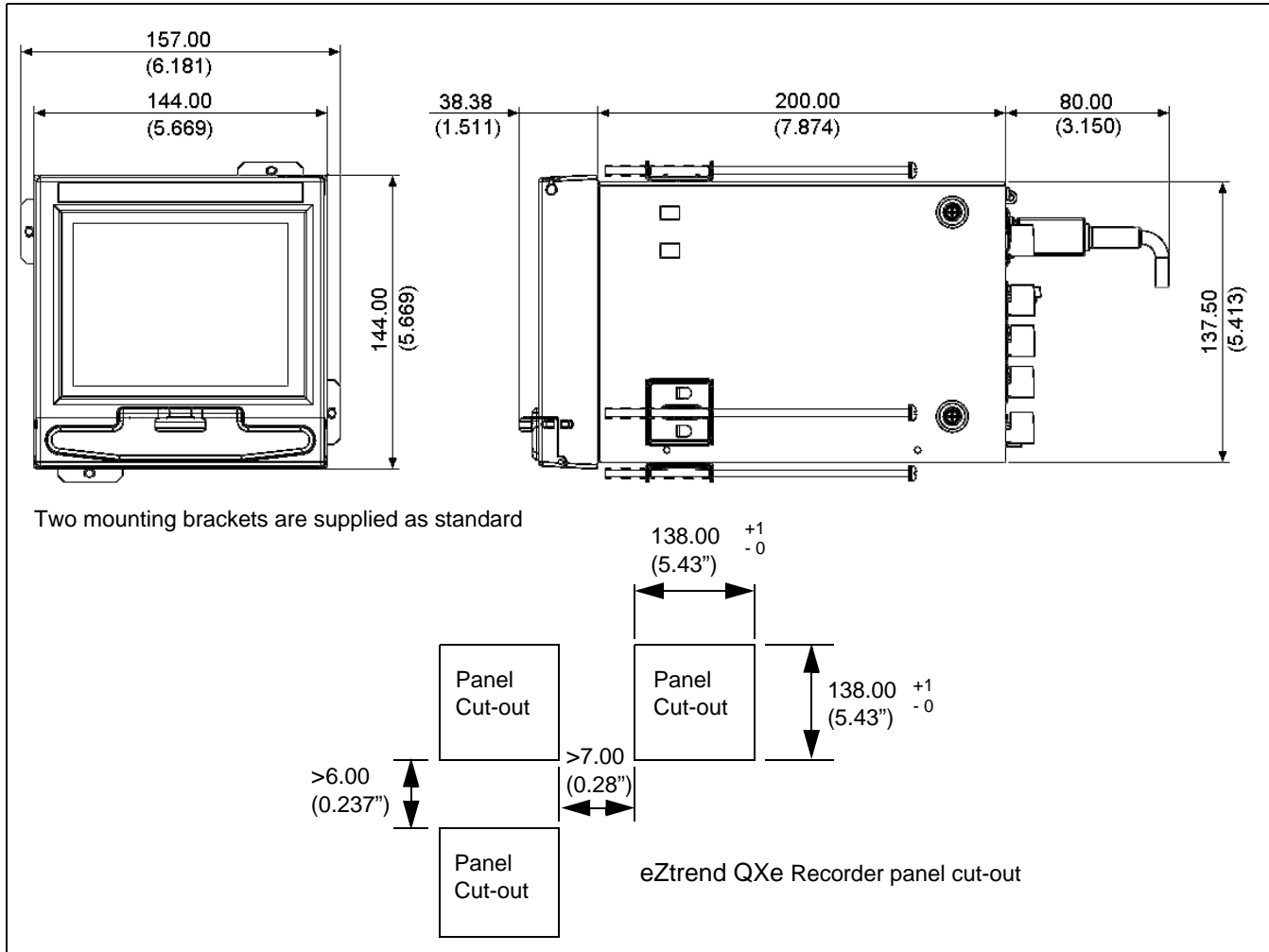


## Connections





## Installation



## Sales and Service

For application assistance, current specifications, pricing, or name of the nearest Authorized Distributor, contact one of the offices below.

### ASIA PACIFIC

#### Control Products

Asia Pacific Headquarters  
Phone: +(65) 6355-2828  
Fax: +(65) 6445-3033

#### Asia Pasific Global Technical Support

##### Field Instruments

Phone: +65 6580 3156  
Fax: +65 6445-3033

##### Process Instruments

Phone: (603) 76950 4777  
Fax: (603) 7958 8922

#### Australia

Honeywell Limited  
Phone: +(61) 7-3846 1255  
FAX: +(61) 7-3840 6481  
Toll Free 1300-36-39-36  
Toll Free Fax:  
1300-36-04-70

#### China – PRC - Beijing

Honeywell China Inc.  
Phone: +(86-10) 8458-3280  
Fax: +(86-10) 8458-4650

#### China – PRC - Shanghai

Honeywell China Inc.  
Phone: (86-21) 5257-4568  
Fax: (86-21) 6237-2826

#### China – PRC - Chengdu

Honeywell China Inc.  
Phone: +(86-28) 8678-6348  
Fax: +(86-28) 8678-7061

#### China – PRC - Xi'an

Honeywell China Ltd - Xi'an.  
Phone: +(86-29) 8833-7490  
Fax: +(86-29) 8833-7489

#### China – PRC - Shenzhen

Honeywell China Inc.  
Phone: +(86) 755-2518-1226  
Fax: +(86) 755-2518-1221

#### Indonesia

PT Honeywell Indonesia  
Phone: +(62) 21-535-8833  
FAX: +(62) 21-5367 1008

#### India Automation India Ltd.

Honeywell Ltd.  
Phone: +(91) 5603-9400  
Fax: +(91) 5603-9600

#### Japan

Honeywell Inc.  
Phone: +(81) 3 6730 7150  
Fax: +(81) 3 6730 7228

#### Malaysia

Honeywell Engineering  
Sdn Bhd  
Phone: +(60-3) 7950-4776  
Fax: +(60-3) 7958-8922

#### New Zealand

Honeywell Limited  
Phone: +(64-9) 623-5052  
Fax: +(64-9) 623-5060  
Toll Free (0800) 202-088

#### Philippines

Honeywell Systems  
(Philippines) Inc.  
Phone: +(63-2) 633-2830-31/  
636 1661-62  
Fax: +(63-2) 638-4013

#### Singapore

Honeywell Pte Ltd.  
Phone: +(65) 6580 3278  
Fax: +(65) 6445-3033

#### South Korea

Honeywell Korea Co Ltd  
Phone: +(822) 799 6315  
Fax: +(822) 792 9015

#### Thailand

Honeywell Systems  
(Thailand) Ltd.  
Phone: +(662) 693-3099  
FAX: +(662) 693-3089

#### Taiwan R.O.C.

Honeywell Taiwan Ltd.  
Phone: +(886-2) 2245-1000  
FAX: +(886-2) 2245-3241

#### SE Asia Countries

see Honeywell Pte Ltd (Singapore) for:  
Pakistan  
Cambodia  
Guam  
Laos  
Myanmar  
Vietnam  
East Timor

#### SE Asia Countries

see Honeywell Automation  
India Ltd for:  
Bangladesh  
Nepal  
Sri Lanka

### EUROPE

#### Austria

Honeywell Austria GmbH  
Phone: +43 (316)400123  
FAX: +43 (316)40017

#### Belgium

Honeywell SA/NV  
Phone: +32 (0) 2 728 24 07  
FAX: +32 (0) 2 728 22 45

#### Bulgaria

Honeywell EOOD  
Phone: +(359) 2 40 20 900  
FAX: +(359) 2 40 20 990

#### Czech Republic

Honeywell spol. s.r.o.  
Phone: +420 242 442 232  
FAX: +420 242 442 131

#### Denmark

Honeywell A/S  
Phone: +(45) 39 55 55 55  
FAX: +(45) 39 55 55 58

#### Finland

Honeywell OY  
Phone: +358 (0) 20752 2753  
FAX: +358 (0) 20752 2751

#### France

Honeywell SA  
Phone: +33 (0)1 60198075  
FAX: +33 (0)1 60198201

#### Germany

Honeywell AG  
Phone: +49 (69)8064336  
FAX: +49 (69)806497336

#### Hungary

Honeywell Kft.  
Phone: +36-1-451 4300  
FAX: +36-1-451 4343

#### Italy

Honeywell S.p.A.  
Phone: +39 02 92146 307/  
395  
FAX: +39 0292146377

#### The Netherlands

Honeywell B.V.  
Phone: +31 (0) 20 5656200  
FAX: +31 (0) 20 5656210

#### Norway

Honeywell A/S  
Phone: (45) 39 55 55 55

#### Poland

Honeywell Sp. zo.o  
Phone: +48-22-6060900  
FAX: +48-22-6060901

#### Portugal

Honeywell Portugal Lda  
Phone: +351 21 424 5000  
FAX: +351 21 424 50 99

#### Romania

Honeywell Bucharest  
Phone: +40 (0) 21 2316437  
FAX: +40 (0) 21 2316439

#### Russian Federation (RF),

ZAO "Honeywell"  
Phone: +7 (095) 796 98 00  
FAX: +7 (495) 797 99 64

#### Slovak Republic

Honeywell s.r.o.  
Phone: +421-2-58247 410  
FAX: +421-2-58247 415

#### Spain

Honeywell S.A.  
Phone: +34 (0)91313 61 00  
FAX: +34 (0)91313 61 30

#### Sweden

Honeywell AB  
Phone: +(46) 8 775 55 00  
FAX: +(46) 8 775 56 00

#### Switzerland

Honeywell AG  
Phone: +41 18552448  
FAX: +(41) 1 855 24 45

#### Turkey

Honeywell Turkey A.S.  
Phone: +90 216 578 71 00  
FAX: +90 216 575 66 35

#### Ukraine

Honeywell  
Tel: +380-44-201 44 74  
Fax: +380-44-201-44-75

#### United Kingdom

Honeywell Control Systems  
Ltd.  
Phone: +44 (0)1344 655251  
FAX: +44 (0) 1344 655554

### MIDDLE EAST

#### Abu Dhabi U A E

Middle East Headquarters  
Honeywell Middle East Ltd.  
Phone: +971 2 4041246  
FAX: +971 2 4432536

#### Sultanate of Oman

Honeywell & Co Oman LLC  
Phone: +968 24 701153/  
Ext.33  
FAX +968 24 787351

#### Saudia Arabia

Honeywell Turki Arabia Ltd  
**Jubail Office**  
Phone: +966-3-341-0140  
Fax: +966-3-341-0216  
Honeywell - ATCO  
**Dammam Office**  
Phone: 0096638304584  
Fax: 0096638338059

#### Kuwait

Honeywell Kuwait KSC  
Phone: +965 242 1327 to 30  
Fax: +965 242 8315  
and  
Phone: +965 326 2934/1821  
Fax: +965 326 1714

### AFRICA

#### Mediterranean & African Distributors

Honeywell SpA  
Phone: +39 (02) 250 10 604  
FAX: +39 (02) 250 10 659

#### South Africa (Republic of) and sub saharan

Honeywell Southern Africa  
Honeywell S.A. Pty. Ltd.  
Phone: +27 11 6958000  
FAX +27 118051504

### NORTH AMERICA

#### Canada

Honeywell LTD  
Phone: 1-800-737-3360  
FAX: 1-800-565-4130

#### USA

Honeywell Process Solutions,  
Phone: 1-800-343-0228  
FAX: 1-717-771-8251  
Email: [sc-cp-apps-sales@honeywell.com](mailto:sc-cp-apps-sales@honeywell.com)

### LATIN AMERICA

#### Argentina

Honeywell S.A.I.C.  
Phone: +(54-11) 4383-3637  
FAX: +(54-11) 4325-6470

#### Brazil

Honeywell do Brasil & Cia  
Phone: +(55-11) 7266-1900  
FAX: +(55-11) 7266-1905

#### Chile

Honeywell Chile, S.A.  
Phone: +(56-2) 233-0688  
FAX: +(56-2) 231-6679

#### Mexico

Honeywell S.A. de C.V.  
Phone: +(52) 55 5259-1966  
FAX: +(52) 55 5570-2985

#### Puerto Rico

Honeywell Inc.  
Phone: +(809) 792-7075  
FAX: +(809) 792-0053

#### Trinidad

Honeywell Inc.  
Phone: +(868) 624-3964  
FAX: +(868) 624-3969

#### Venezuela

Honeywell CA  
Phone: +(58-2) 238-0211  
FAX: +(58-2) 238-3391

### Trademarks

eZtrend QXe is a registered trademark of Honeywell International Inc.

### Honeywell Process Solutions

Honeywell

2500 W.Union Hills Drive  
Phoenix, Arizona 85027

[www.honeywell.com/ps](http://www.honeywell.com/ps)

43-TV-03-12

September 2007

© 2006 - 2007 Honeywell International Inc.

# Honeywell