

PI CA40-LP

LOOP POWERED

DESCRIPTION

LOOP POWERED INDICATOR

- PROCESS (4-20 mA).

48x24 mm front

Panel instrument for 4-20 mA loop signals measurement
Fully programmable.
Display range -1999 to 9999, programmable decimal point.
Keys situated below the display.

PICA40-LP



TECHNICAL CHARACTERISTICS

Range 4-20 mA
Resolution 0.01mA

INPUT IMPEDANCE

mA 10 Ω

ACCURACY at 23°C ±5°C

Max Error..... ±(0.1% of reading + 3 digits)
Temperature coefficient..... 100 ppm/°C
Warm up..... 5 minutes

POWER SUPPLY

Loop power supply
Loop drop (4- 20 mA)..... < 5V

CONVERSION

Technical..... Single slope
Resolution 16 bits
Rate 62/ s

DISPLAY

Range..... -1999 ÷ 9999
Type..... 4 red digits 10mm
Reading rate..... 2/s
Overflow indication..... **00E**

ENVIRONMENTAL

Operating temperature..... -10°C ÷ +60°C
Storage temperature..... -25°C ÷ +85°C
Relative humidity (non condensed)..... <95% ÷ 40°C
Maximum altitude..... 2000m.
Panel sealing..... IP65

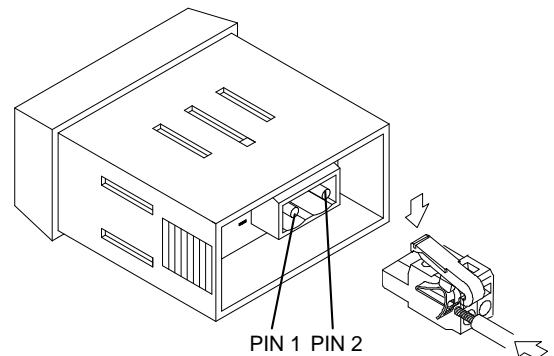
PROGRAMMING

Display range: -1999 to 9999



KEYBOARD DETAIL (BOTTOM VIEW)

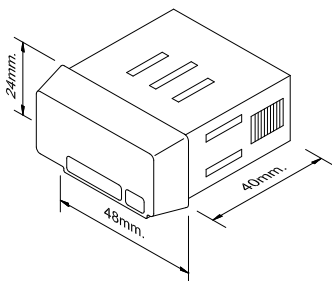
CONNECTIONS



PIN 1 PIN 2

DIMENSIONS AND MOUNTING

Dimensions 48 x 24 x 40 mm.
Panel cutout 22 x 45 mm.
Weight 50 g.
Case material Polycarbonat s/ UL 94 V-0



CN1

INPUT SIGNAL

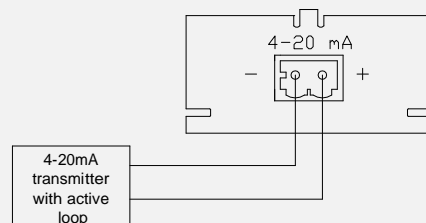
PIN

1

(-) 4 - 20 mA Loop

2

(+) 4 - 20 mA Loop



Vydas International Marketing
Swan House Passfield Business Centre
Lynchborough Road Passfield
Hampshire GU30 7SB United Kingdom
Tel:44(0)1428 751822 Fax:44(0)1428 751833
Email:info@vydas.co.uk Web: www.vydas.co.uk

