

Monitoring Relays Current Transformer, 3-Phase Types MP 3005, MP 3020, MP 3100, MP 3500

CARLO GAVAZZI



- 4 types of input:
 - 0.5 - 5 A
 - 2 - 20 A
 - 10 - 100 A
 - 50 - 500 A
- For use in connection with control relays types e.g. DIB02, PIB02, DUA01, PUA01

Product Description

3-phase current transformers for 5, 20, 100 or 500 AAC. Output voltage (0.4 - 4 V_p) is proportional to measured current.

Ordering Key

MP 3005

Type _____
Input current _____

Type Selection

Input current	Type no.
5 A	MP 3005
20 A	MP 3020
100 A	MP 3100
500 A	MP 3500

Input Specifications

	MP 3005	MP 3020	MP 3100	MP 3500
Current range	0.5 - 5 AAC	2 - 20 AAC	10 - 100 AAC	50 - 500 AAC
Max. current (continuously)	20 AAC	50 AAC	150 AAC	500 AAC
Frequency range	40 Hz-1 kHz	40 Hz-1 kHz	40 Hz-1 kHz	40 Hz-1 kHz
Rated insulation voltage Input-output	1000 VAC _{rms}	1000 VAC _{rms}	1000 VAC _{rms}	1000 VAC _{rms}
Overvoltage category	IV (IEC 60664)	IV (IEC 60664)	IV (IEC 60664)	IV (IEC 60664)
Dielectric strength Dielectric voltage Rated impulse withstand volt.	6 kVAC _{rms} 12 kV (1.2/50 μs)	6 kVAC _{rms} 12 kV (1.2/50 μs)	6 kVAC _{rms} 12 kV (1.2/50 μs)	6 kVAC _{rms} 12 kV (1.2/50 μs)
Power consumption	< 300 mW @ 5 A	< 300 mW @ 20 A	< 2 W @ 100 A	< 21 W @ 500 A

Output Specifications

	MP 3005	MP 3020	MP 3100	MP 3500
Output voltage (in connection with SM 115)	0.4 - 4 V _p	0.4 - 4 V _p	0.4 - 4 V _p	0.4 - 4 V _p
Rated insulation voltage (cable)	250 VAC _{rms}	250 VAC _{rms}	250 VAC _{rms}	250 VAC _{rms}



General Specifications

	MP 3005	MP 3020	MP 3100	MP 3500
Pollution degree	3 (IEC 60664)	3 (IEC 60664)	3 (IEC 60664)	3 (IEC 60664)
Ambient temperature	- 20° to + 60°C (- 4° to + 140°F)	- 20° to + 60°C (- 4° to + 140°F)	- 20° to + 60°C (- 4° to + 140°F)	- 20° to + 40°C (- 4° to + 104°F) (max. amb. temp for < 200 A is + 60°C (+140°F))
Housing				
Dimensions	120 x 45 x 16 mm	120 x 45 x 16 mm	150 x 114 x 23 mm	150 x 114 x 23 mm
Material	ABS	ABS	ABS	ABS
Weight	200 g	200 g	750 g	750 g
Connection cable	2 m, 2 x 0.25 mm ²	2 m, 2 x 0.25 mm ²	2 m, 2 x 0.25 mm ²	2 m, 2 x 0.25 mm ²
Approvals	UL	UL	UL	UL
CE-marking	Yes	Yes	Yes	Yes

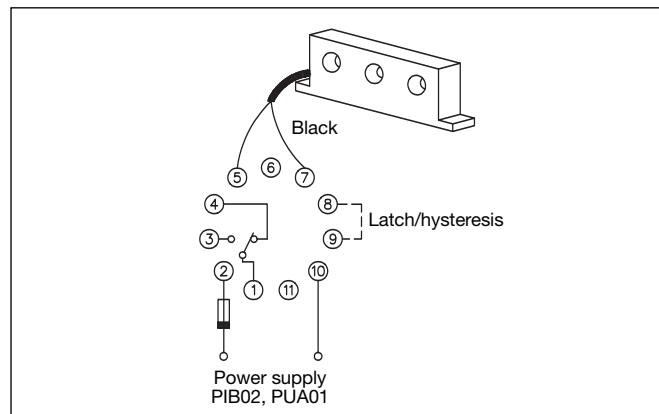
Mode of Operation

The output voltage is proportional to the highest current value in the 3 conductors which are drawn through the holes of the current metering transformer.

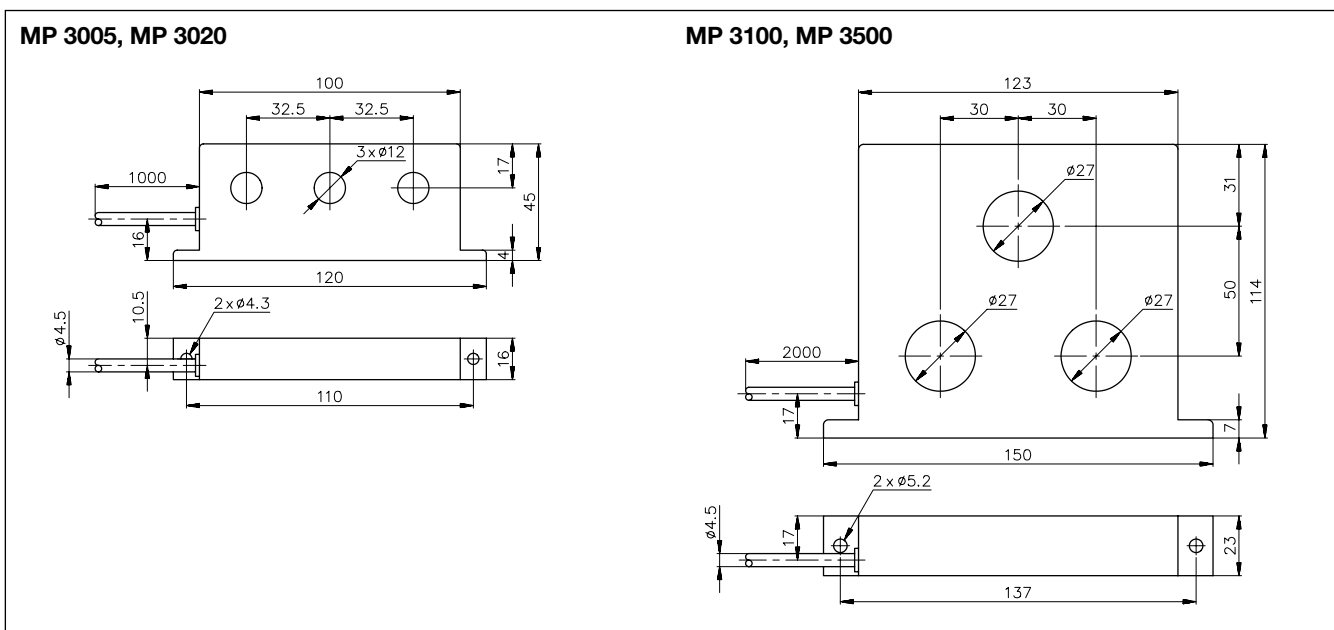
This makes it possible to use the current metering transformers, e.g. type MP 3005, for measuring far below the nominal range.

By drawing each conductor several times through the hole, the output voltage is multiplied by the number of times each conductor is drawn through the hole.

Wiring Diagram



Dimensions



Specifications are subject to change without notice (15.09.06)