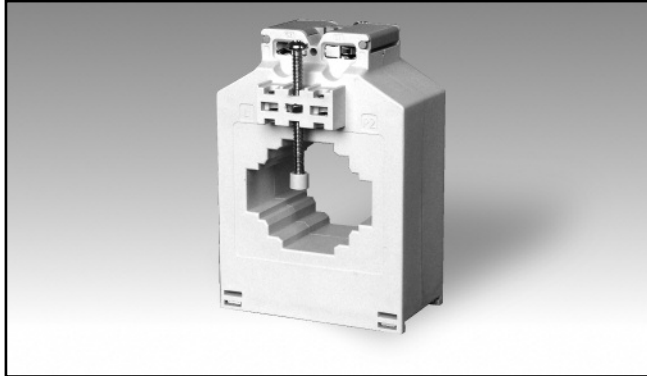


Accessories

AC Current Transformer (max 51x15 mm bus-bar)

Type CTD-3X



- Bus-bar type current transformer
- 0.5 class, currents from 50 to 1200 A
- Integrated DIN-rail mounting holder
- Removable panel fixing clips
- Up to 6 Bus-bar isolated fixing screws
- Double screw terminals (up to 8-wire connections)
- Sealable terminal block covers

Product Description

Cable/Bus-bar type current transformer with DIN-rail/bus-bar and panel mounting facility. Rated primary currents from 50 A to 1200 A.

Ordering Key **CTD-3X 1000 5A XXX**



Type Selection

Primary current	Secondary current	Option
From 50 to 1200A (Refer to Range Table)	1A 5A	XXX: none XTX: tropicalization 2XX: class 0.2S (depending on the primary current)

Input Specifications

Operating frequency	45 to 65 Hz
Max. system voltage	0.72 kV
Rated insulation level	3 kV/1 min. @ 50 Hz
Insulation class	E (max 75°C)
Short-time current rating	Typical 100 I _n /1 s
I _{th} I _{dyn}	2.5 I _{th} The short-time thermal current I _{th} is anyway limited by the cable/bus-bar size
Extended current rating	120%
Security factor (FS)	≤ 5 (Class: 0.5, 1 and 3)

General Specifications

Standards	According to EN60044-1
Housing	ABS, self-extinguishing: UL 94 V-0
Mounting	DIN-rail bus-bar and panel mounting
Standard accessories	Two terminal block screws. Two cable/bus-bar fixing screws. Two plastic caps for cable/bus-bar fixing screws. Two panel mounting fixing clips. Two sealable terminal block covers.

Optional accessories	Extended fixing kit: CDT-kit Two panel mounting fixing clips. Four cable/bus-bar fixing screws. Four plastic caps for cable/bus-bar fixing screws.
Special features	1 A secondary current, Class 0.2S Tropicalization
Working temperature	-25°C to +60°C (-13°F to 140°F) (R.H. < 90% non condensing @ 40°C)
Storage temperature	-30°C to +70°C (-22°F to 158°F) (R.H. < 90% non condensing @ 40°C)
Connection	Screw type Cable cross section area From 1.5 to 6 mm ² Min/Max screws tightening torque From 1.2 to 3 Nm
Protection degree	IP00 IP20 (with sealable terminal block covers + wire terminals)
Cable diameter	Max. 41 mm
Bus-bar size	Horizontal Max. 51x15; 40x20: 32x32 mm Vertical Max. 40x20 mm
Weight	From 550 to 700 g

Output Specifications

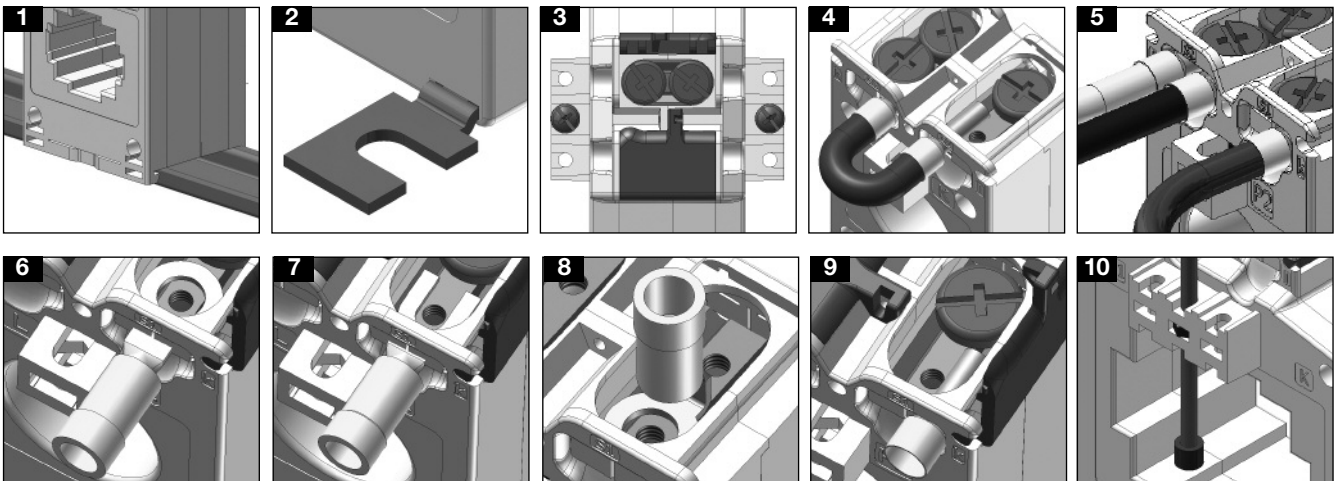
Rated secondary current	5 A or 1 A
-------------------------	------------

Range Table

Model CTD-3X from 50A to 200A			
Primary Current A	Burden (VA)		
	CL 0.5	CL 1	CL 3
50			1.75
60			2
70			2.5
75			3
80			3
100		2	3.5
120		2.25	4
125		2.5	4.5
150	2.25	3	6
160	2.5	3.5	6.5
200	3	4.5	8.5

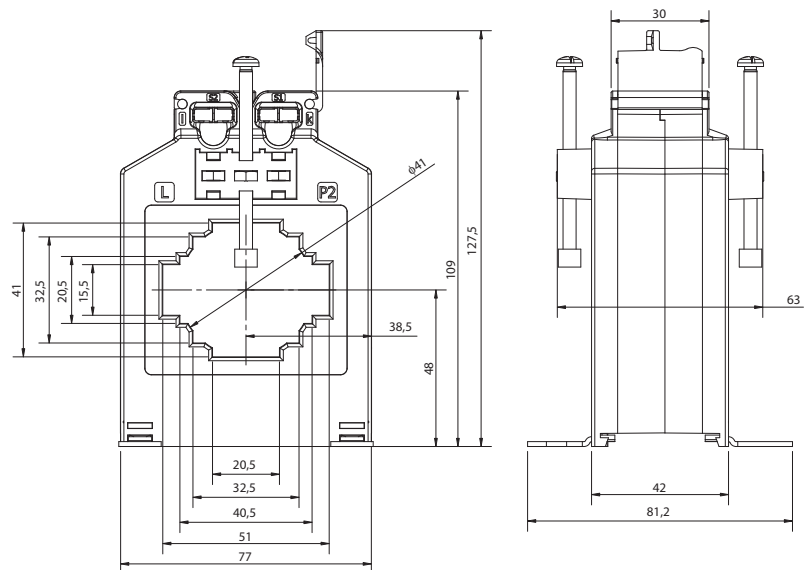
Model CTD-3X from 250A to 1200A			
Primary Current A	Burden (VA)		
	CL 0.5	CL 1	CL 3
250	3.5	6.5	10.5
300	7	10	13
400	9	14	17
500	14	18	21
600	17	21	24
700	22	26	29
750	24	28	31
800	25	29	32
1000	35	39	42
1200	40	44	47

Benefits

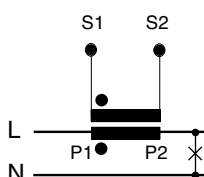


- Easy and quick mounting either on a panel or on a DIN-rail (see figure 1-2).
- Protection of screw terminals using specific sealable covers to assure always the best safety (see figure 3).
- Bridging of current transformer output without changing the connection of the secondary, so to avoid any output overvoltage during either the maintenance or the installation procedure (see figure 4).
- Easy output and earth connection (see fig. 5).
- Screw terminals compatible with any kind of wire terminals (see figure 6-7-8-9).
- Multiple screws provided with isolation cap screws to grant a strong and reliable fixing of the current transformer to the bus-bar (see figure 10).

Dimensions (mm)



Wiring Diagram



2

Specifications are subject to change without notice CTD-3X DS ENG 270907



Vydas International Marketing
Swan House PBC Lynchborough Rd
Passfield Hampshire GU30 7SB UK

Tel: 44(0)1428 751822 Fax: 44(0)1428 751833
Email: info@vydas.co.uk Web: www.vydas.co.uk