

Accessories

AC Current Transformer (max 23mm ϕ cable)

Type CTD-1X

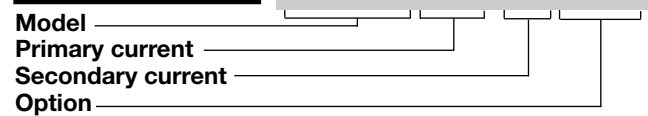


- Cable and bus-bar type current transformer
- 0.5 class, currents from 40 to 300 A
- Removable DIN-rail mounting holder
- Removable panel fixing clips
- 2 cable/bus-bar isolated fixing screws
- Double screw terminals (up to 8-wire connections)
- Sealable terminal block covers

Product Description

Cable/Bus-bar type current transformer with DIN-rail/bus-bar and panel mounting facility. Rated primary currents from 40 A to 300 A.

Ordering Key **CTD-1X 100 5A XXX**



Type Selection

Primary current	Secondary current	Option
From 40 to 300A (Refer to Range Table)	1A 5A	XXX: none XTX: tropicalization

Input Specifications

Operating frequency	45 to 65 Hz
Max. system voltage	0.72 kV
Rated insulation level	3 kV/1 min. @ 50 Hz
Insulation class	E (max 75°C)
Short-time current rating	Typical 100 I _n /1 s 2.5 I _{th} The short-time thermal current I _{th} is anyway limited by the cable/bus-bar size
Extended current rating	120%
Security factor (FS)	≤ 5 (Class: 0.5, 1 and 3)

Optional accessories	Extended fixing kit CDT-kit: Four cable/bus-bar fixing screws. Four plastic caps for cable/bus-bar fixing screws. Two panel mounting fixing clips.
Special features	1 A secondary current, Tropicalization
Working temperature	-25°C to +60°C (-13°F to 140°F) (R.H. < 90% non condensing @ 40°C)
Storage temperature	-30°C to +70°C (-22°F to 158°F) (R.H. < 90% non condensing @ 40°C)

General Specifications

Standards	According to EN60044-1
Housing	ABS, self-extinguishing: UL 94 V-0
Mounting	DIN-rail bus-bar and panel mounting
Standard accessories	Two terminal block screws. Two sealable terminal block covers. Two panel mounting fixing clips. One DIN rail adapter.

Connection	Screw type
Cable cross section area	From 1.5 to 6 mm ²
Min/Max screws tightening torque	From 1.2 to 3 Nm
Protection degree	IP00 IP20 (with sealable terminal block covers + wire terminals)
Cable diameter	Max. 23 mm
Bus-bar size	Max. 20x5 mm
Weight	From 150 to 200 g

Output Specifications

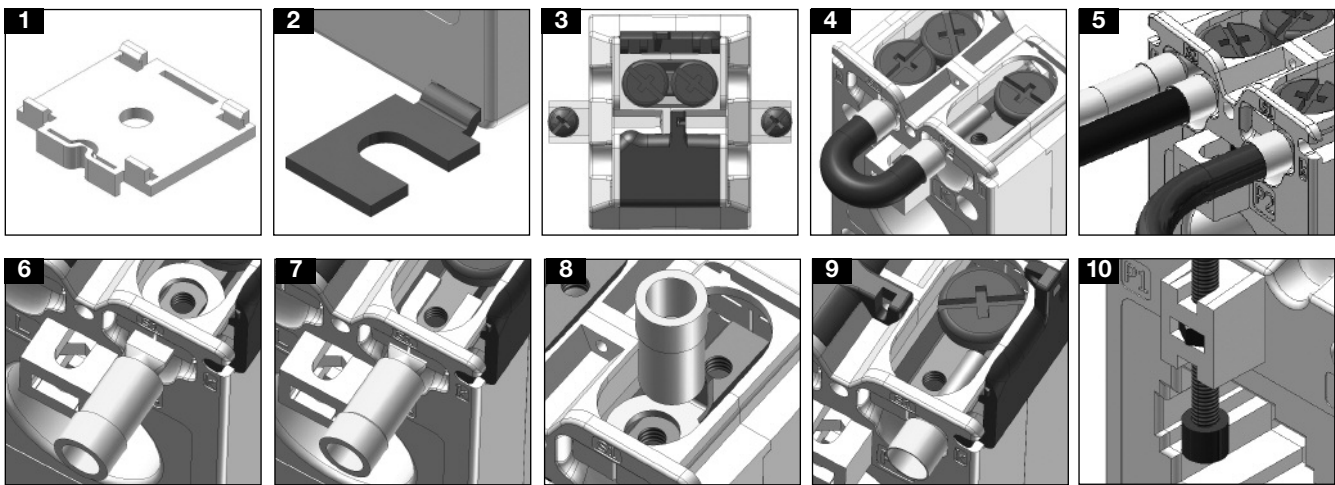
Rated secondary current	5 A or 1 A
-------------------------	------------

Range Table

Model CTD-1X from 40A to 100A			
Primary Current	Burden (VA)		
	CL 0.5	CL 1	CL 3
40			1
50		1	1.25
60		1.25	1.5
70		1.5	1.75
75	1	1.25	1.75
80	1.25	1.5	2
100	1.5	1.75	2.25

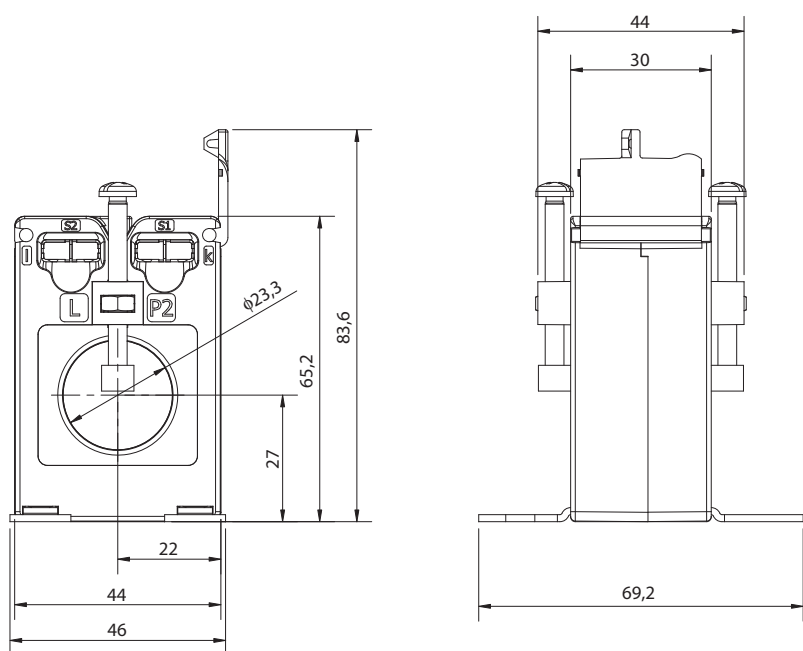
Model CTD-1X from 120A to 300A			
Primary Current	Burden (VA)		
	CL 0.5	CL 1	CL 3
120	1.75	2	2.5
125	2	2.25	2.75
150	2.25	2.5	3
160	2.5	2.75	3.25
200	3	3.25	3.75
250	4.5	4.75	5.25
300	6	6.25	6.75

Benefits



- Easy and quick mounting either on a panel or on a DIN-rail (see figure 1-2).
- Protection of screw terminals using specific sealable covers to assure always the best safety (see figure 3).
- Bridging of current transformer output without changing the connection of the secondary, so to avoid any output overvoltage during either the maintenance or the installation procedure (see figure 4).
- Easy output and earth connection (see fig. 5).
- Screw terminals compatible with any kind of wire terminals (see figure 6-7-8-9).
- Multiple screws provided with insulation caps to grant a strong and reliable fixing of the current transformer to the bus-bar (see figure 10).

Dimensions (mm)



Wiring Diagram

