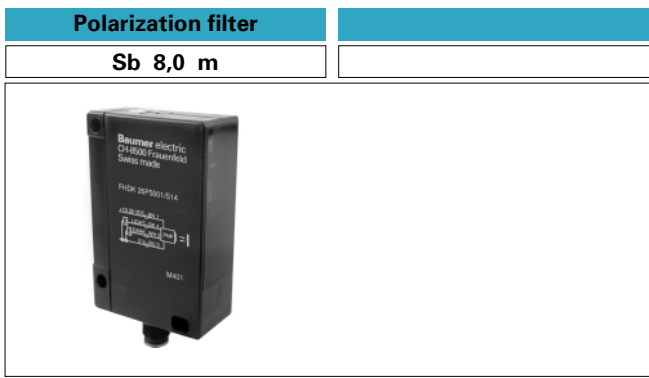


Retro-reflective sensors Series 26



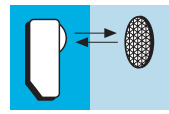
	cable	connector
PNP	light operate dark operate light/dark operate	FPDK 26P5103/S14
NPN	light operate dark operate light/dark operate	FPDK 26N5103/S14

technical data	
nominal range Sn	9,0 m
actual range Sb	8,0 m
characteristics	excess gain curve
output indicator	yellow LED
alignment aid / soiled lens indicator	flashing LED
light source / wave length	pulsed red LED / 660 nm
voltage supply range	10 - 30 VDC
max. supply current average value / peak value	45 mA / 55 mA
max. switching current	200 mA
voltage drop	≤ 1,8 VDC
response time / release time	≤ 1 ms / ≤ 1 ms
¹⁾ time delay T _{on} / T _{off}	0,01 - 10 sec / 0,01 - 10 sec
sensitivity adjustment	270° pot
short circuit protection	yes
reverse polarity protection	yes
temperature range	-25...+65 °C
housing material	Acrylnitril / Styrol / Acrylester (ASA)
protection class	IP 67

¹⁾ with time delay PNP	FPDK 26P5303/S14
with time delay NPN	FPDK 26N5303/S14

AC/DC	without time delay	with time delay
FPDK 26R7103		
FPDK 26R7303		

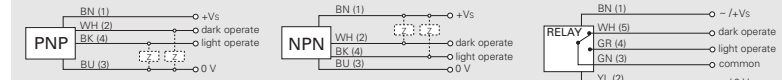
technical data	
voltage supply range	20 - 264 V AC/DC
supply current	≤ 50 mA
switching output	relay contact (SPDT)
max. switching voltage	250 VAC / 100 VDC
max. switching current	3 A AC/DC
max. switching power	90 W / 720 VA
response time / release time	≤ 25 ms / ≤ 25 ms
time delay T _{on} / T _{off}	0,05 - 10 sec / 0,05 - 10 sec



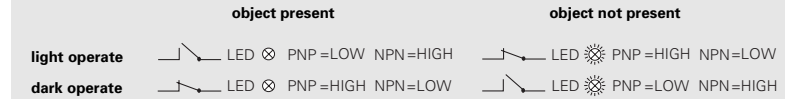
Series 26

- Polarization filter to detect shiny objects
- Alignment aid / soiled lens indicator (flashing LED)
- Sensitivity adjustable
- Visible red light

connection diagrams



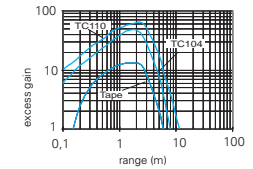
output states



reflectors / actual range

part number	reflector	actual range Sb
TC 104	ø 40 mm	6 m polarization filter
TC 110	ø 84 mm	8 m polarization filter
107182	tape	4,5 m polarization filter

excess gain curve



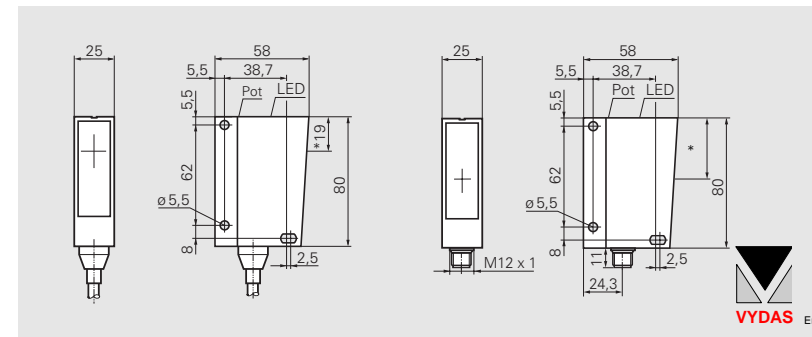
connectors

ES 14		
ES 24		
ESW 33AH0200	4 pin	2 m PUR halogen-free
ESG 34AH0200	4 pin	2 m PUR halogen-free

accessories

mounting bracket	112477
------------------	--------

for details see accessories section



emitter axis
* 38 mm



VYDAS International Marketing
Swan House Passfield Business Centre
Lynchborough Road Passfield
Hampshire GU30 7SB United Kingdom
Tel:44(0)1428 751822 Fax:44(0)1428 751833
Email:info@vydas.co.uk Web:www.vydas.co.uk