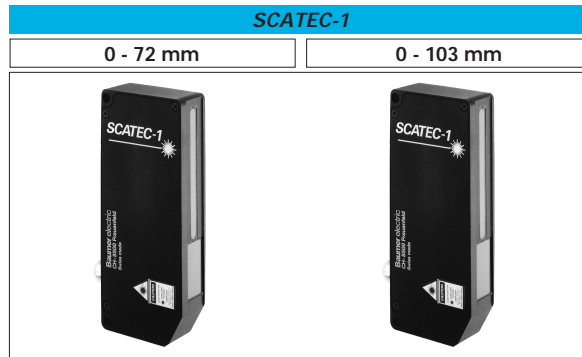
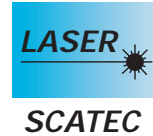


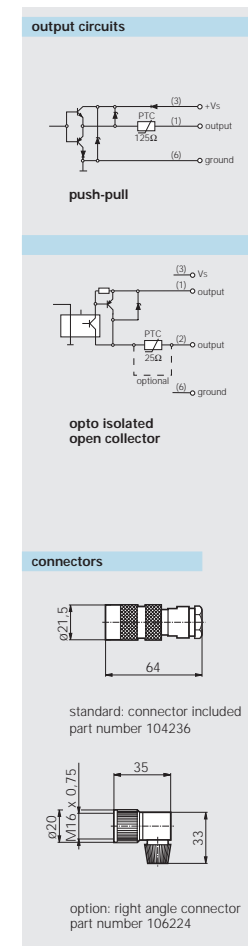
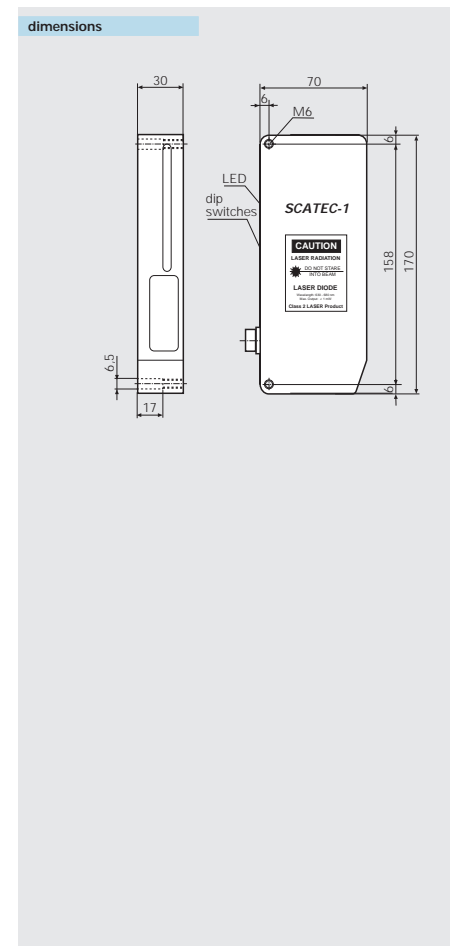
Laser copy counter



	0 - 72 mm	0 - 103 mm
Push-pull Part number	FLDM 170G1001/S42	FLDM 170G1010/S42
Opto isolated open collector Part number	FLDM 170C1001/S42	FLDM 170C1010/S42
technical data		
measuring range	0..72 mm	0..103 mm
enlarged measuring range	0..90 mm (with reduced sensitivity)	0..120 mm (with reduced sensitivity)
sensitivity	single sheet/edge thick. 0.1 mm (from 90 g/m ²)*	single sheet/edge thick. 0.2 mm *
power indicator	green LED	green LED
edge indicator	red LED	red LED
light source / wave length	red light laser diode / 675 nm	red light laser diode / 675 nm
measuring point	visible red point	visible red point
counting rate	max. 1.5 million copies/h	max. 1.5 million copies/h
object speed (edge ≥ 0.3 mm)	0..2 m/sec (5 m/sec **)	0..2 m/sec (5 m/sec **)
distance between objects	min. 1 mm (single sheet edge)	min. 1 mm (single sheet edge)
synchronization input	yes	yes
voltage supply range	18 - 30 V	18 - 30 V
supply current average value / peak value	120 mA / 140 mA	120 mA / 140 mA
output pulse length	2 / 5 / 10 / 20 ms selectable	2 / 5 / 10 / 20 ms selectable
short circuit protection	yes	yes
reverse polarity protection	yes	yes
temperature range	+10...+40 °C	+10...+40 °C
housing material	die-cast zinc	die-cast zinc
connector base	DIN 45322	DIN 45322
connector	Nr. 104236 included	Nr. 104236 included
protection class	IP 54	IP 54
laser class	2	2
	* mounting 70 mm above conveyor	* mounting 100 mm above conveyor
	** for thick copies	** for thick copies
Functions		
sensitivity	reducible in 4 steps	reducible in 4 steps
multiple pulse suppression	by micro controller (1 standard program and 3 programs with adjustable parameters)	by micro controller (1 standard program and 3 programs with adjustable parameters)
synchronization of multiple pulse suppression to conveyor belt speed	automatic by micro controller or with encoder/machine cycle to synchronization input	automatic by micro controller or with encoder/machine cycle to synchronization input
product orientation (with magazines)	folded or cut edge leading	folded or cut edge leading



- Laser based edge detection
- Color independent
- Detects paper thickness down to 0,1 mm
- High counting rates
- Multiple pulse suppression



Counting rate
1,5 million/h

Measuring range
103 mm

Color independent